



SERVICE MANUAL

UHF FM REPEATER

IC-FR6000
IC-FR6100

S-14419XZ-C1
Feb. 2008

Icom Inc.

INTRODUCTION

This service manual describes the latest service information for the **IC-FR6000** UHF DIGITAL REPEATER at the time of publication.

MODEL	VERSION	FREQUENCY RANGE	CH. SPACING	TX POWER
IC-FR6000	USA-01	400–470 MHz	6.25/12.5/25.0 kHz	50 W
	USA-02	450–520 MHz		
	EXP-01	400–470 MHz	12.5/25.0 kHz	
	EXP-02	450–520 MHz		
IC-FR6100	EUR-01	400–470 MHz	12.5/20.0/25.0 kHz	25 W

UNIT ABBREVIATIONS:

F=FRONT UNIT
M=MAIN UNIT
CN=CONNECT UNIT

CAUTION

NEVER connect the repeater to an AC outlet or to a DC power supply that uses more than specified. This will ruin the repeater.

DO NOT expose the repeater to rain, snow or any liquids.

DO NOT reverse the polarities of the power supply when connecting the repeater.

DO NOT apply an RF signal of more than 20 dBm (100 mW) to the antenna connector. This could damage the repeater's front-end.

To upgrade quality, any electrical or mechanical parts and internal circuits are subject to change without notice or obligation.



ORDERING PARTS

Be sure to include the following four points when ordering replacement parts:

1. 10-digit Icom parts numbers
2. Component name
3. Equipment model name and unit name
4. Quantity required

<ORDER EXAMPLE>

1110003491 S.IC TA31136FNG IC-FR6000 MAIN UNIT 5 pieces
8820001210 Screw 2438 screw IC-FR6000 Top cover 10 pieces

Addresses are provided on the inside back cover for your convenience.

REPAIR NOTES

1. Make sure the problem is internal before disassembling the repeater.
2. **DO NOT** open the repeater until the repeater is disconnected from its power source.
3. **DO NOT** force any of the variable components. Turn them slowly and smoothly.
4. **DO NOT** short any circuits or electronic parts. An insulated tuning tool **MUST** be used for all adjustments.
5. **DO NOT** keep power ON for a long time when the repeater is defective.
6. **DO NOT** transmit power into a Standard Signal Generator or a Sweep Generator.
7. **ALWAYS** connect a 50 dB to 60 dB attenuator between the repeater and a Deviation Meter or Spectrum Analyzer when using such test equipment.
8. **READ** the instructions of test equipment thoroughly before connecting a test equipment to the repeater.

CONTENTS

SECTION 1 SPECIFICATIONS

SECTION 2 INSIDE VIEWS

SECTION 3 DISASSEMBLY INSTRUCTION

SECTION 4 OPTIONAL UNIT INSTALLATION

SECTION 5 CIRCUIT DESCRIPITON

5-1	RECEIVER CIRCUITS.....	5-1
5-2	TRANSMITTER CIRCUITS.....	5-1
5-3	OTHER CIRCUITS.....	5-2
5-4	CPU (M: IC20) PORT ALLOCATION.....	5-3

SECTION 6 ADJUSTMENT PROCEDURES

6-1	PREPARATION.....	6-1
6-2	FREQUENCY ADJUSTMENT.....	6-6
6-3	TRANSMIT ADJUSTMENT.....	6-7
6-4	RECEIVE ADJUSTMENT.....	6-8

SECTION 7 PARTS LIST

SECTION 8 MECHANICAL PARTS

SECTION 9 BOARD LAYOUTS

SECTION 10 BLOCK DIAGRAM

SECTION 11 VOLTAGE DIAGRAM

	FRONT UNIT.....	11-1
	MAIN UNIT (1/3).....	11-2
	MAIN UNIT (2/3).....	11-3
	MAIN UNIT (3/3).....	11-4
	CONNECT UNIT.....	11-5

SECTION 1

SPECIFICATIONS

■ GENERAL	[FR6000]	[FR6100]
• Frequency coverage	400–470 MHz [USA-01], [EXP-01] 450–520 MHz [USA-02], [EXP-02]	400–470 MHz
• Conventional channels	max. 32 ch	
• Type of emission	Wide 16K0F3E/11K0F3E/11K0F7E/1K0F7D/ 11K0F7W	Wide 16K0F3E
	–	Middle 14K0F3E
	Narrow 8K50F3E/8K10F1E/8K10F1D	Narrow 8K50F3E
	Digital 4K00F1E/4K00F1D/4K00F3E/6K00F3E	
• Antenna impedance	50 Ω (Nominal)	
• Operating temperature range	–22°F to +140°F (–30°C to +60°C)	–25°C to +55°C
• Power supply requirement (nominal)	13.6 V DC (Negative ground)	13.2 V DC (Negative ground)
• Current drain (Approx.)	Receiving 500 mA (stand-by), 1900 mA (max. audio)	
	Transmitting 15 A (at 50 W)	Transmitting 7.0 A (at 25 W)
• Dimensions (Projections not included)	19 1/32 (W)×3 15/32 (H)×10 1/4 (D) in.	483 (W)×88 (H)×260 (D) mm
• Weight (Approx.)	12 lb 9/16 oz.	5.6 kg

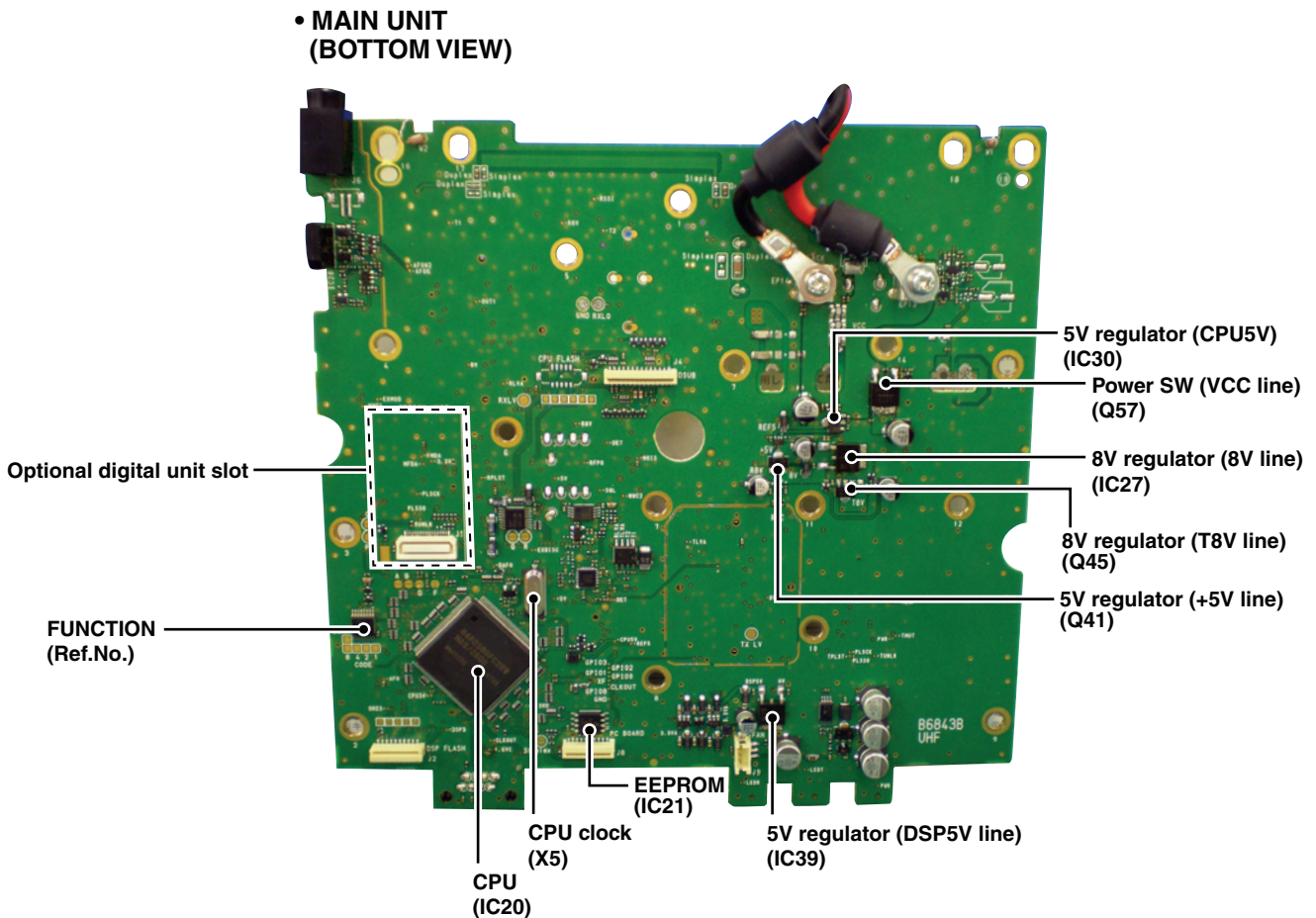
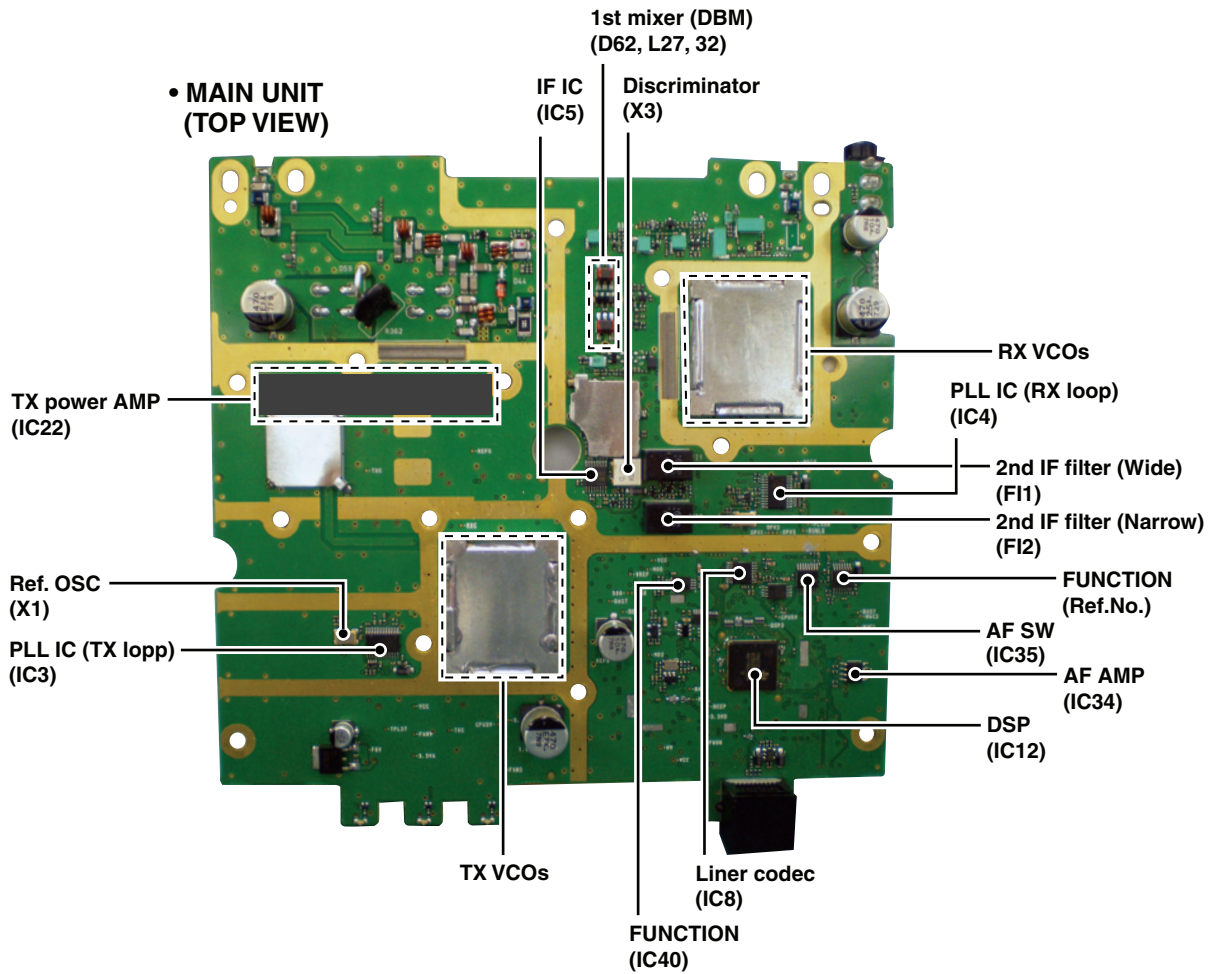
■ TRANSMITTER	[FR6000]	[FR6100]
• Output power	50 W	25 W
• Modulation	Variable reactance frequency modulation	
• Max. frequency deviation	±5.0 kHz (Wide)	
	–	±4.0 kHz (Middle)
	±2.5 kHz (Narrow)	
• Frequency stability	±0.5 ppm	±0.5 kHz
• Spurious emissions	80 dB typ.	0.25 μW (≤1 GHz), 1.00 μW (>1 GHz)
• Adjacent channel power	Wide 73 dB typ.	Wide 73 dB min.
	–	Middle 73 dB min.
	Narrow 67 dB typ.	Narrow 65 dB min.
	Digital 65 dB typ.	Digital 60 dB min.
• Audio harmonic distortion	1% typ. (at AF 1 kHz 40% deviation)	
• Audio frequency response	+2 dB to –8 dB of 6 dB/oct.	Wide/Middle from 300 Hz–3000 Hz Narrow from 300 Hz–2550 Hz
• FM Hum and noise (300 Hz–3000 Hz, 750 us)	Wide 50 dB typ. Narrow 45 dB typ.	

■ RECEIVER	[FR6000]	[FR6100]
• Receive system	Double-conversion superheterodyne system	
• Intermediate frequencies	1st IF: 46.35 MHz, 2nd IF: 450 kHz	
• Sensitivity	Wide/Narrow 0.25 μ V typ. at 12 dB SINAD	Wide/Middle/Narrow -10 dB μ max. at 12 dB SINAD
	Digital 0.25 μ V typ. at 5% BER	Digital 0 dB μ V emf max. at 1% BER (PN9)
• Squelch sensitivity (at threshold)	Wide/Narrow 0.25 μ V typ.	Wide/Middle/Narrow 0.25 μ V typ.
• Adjacent channel selectivity	Wide 78 dB typ.	Wide 70 dB min.
	–	Middle 70 dB min.
	Narrow 56 dB typ.	Narrow 60 dB min.
	Digital 63 dB typ.	Digital 45 dB min.
• Spurious response	Wide/Narrow 70 dB	Wide/Middle/Narrow 70 dB min.
	Digital 65 dB μ V emf	Digital 70 dB μ V emf min.
• Intermodulation	Wide 70 dB min.	
	–	Middle 70 dB min.
	Narrow 70 dB min. Digital 71 dB μ V emf min.	
• Hum and noise	Wide 50 dB typ.	Wide 45 dB min.
	–	Middle 43 dB min.
	Narrow 45 dB typ.	Narrow 40 dB min.
	Digital 55 dB typ.	Digital 55 dB min.
• Audio output power (at 5% distortion with a 4 Ω load)	4.0 W typ.	3.5 W min.
• Audio output impedance	4 Ω	

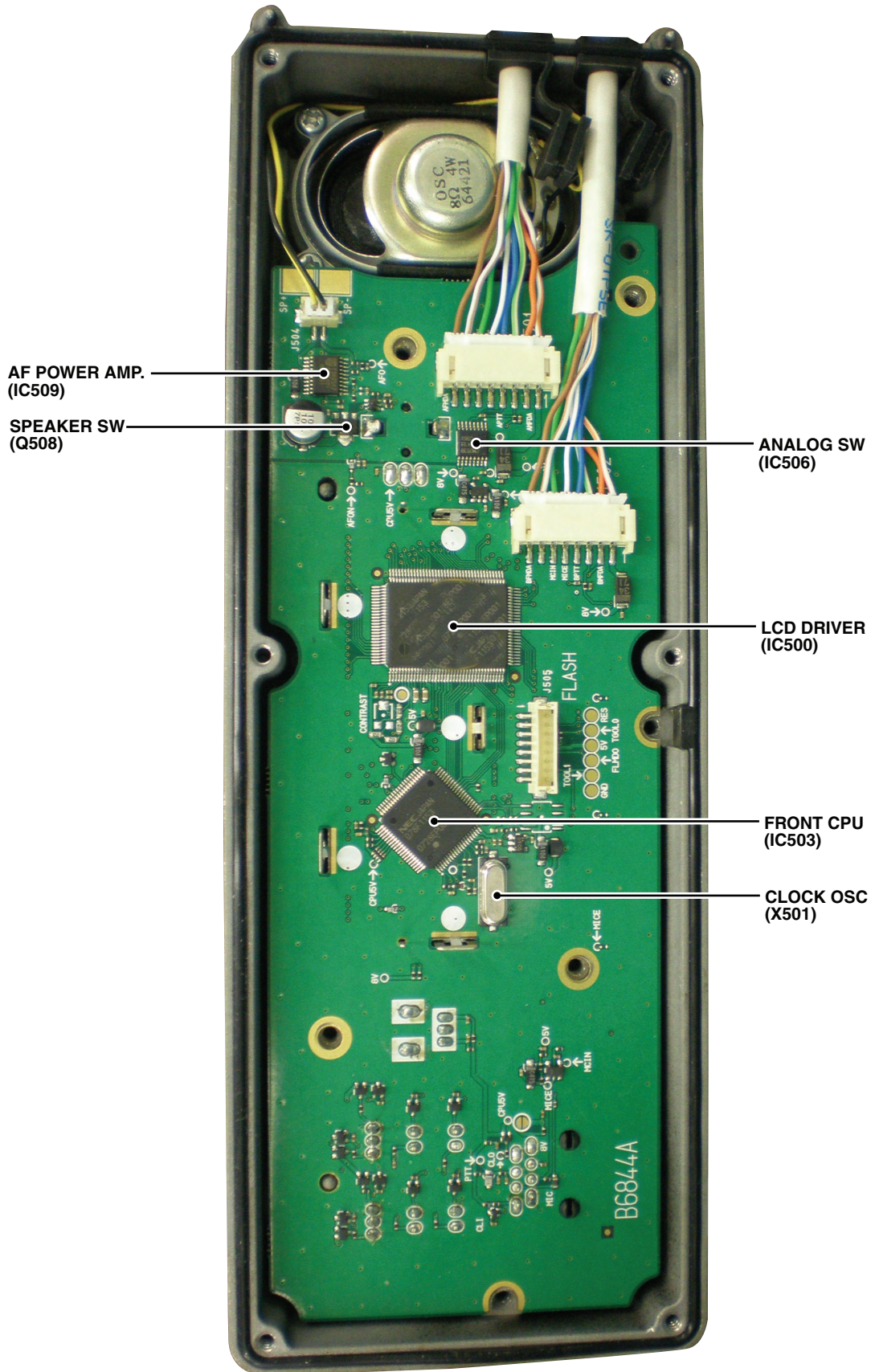
Specifications are measured in accordance with TIA-603-B (for Wide and Narrow) or EN 300 166 (Digital) for FR6000.

Specifications are measured in accordance with EN 300 086 (for Wide, Middle and Narrow) or EN 300 166 (Digital) for FR6100.

All stated specifications are subject to change without notice or obligation.



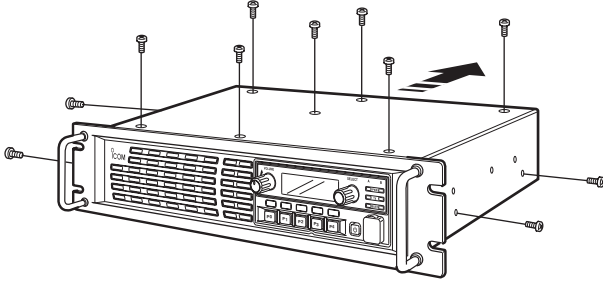
• FRONT UNIT



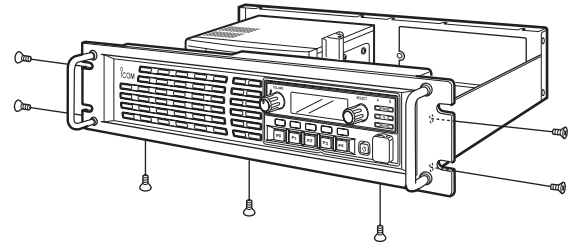
SECTION 3 DISASSEMBLY INSTRUCTION

1. Removing the front panel

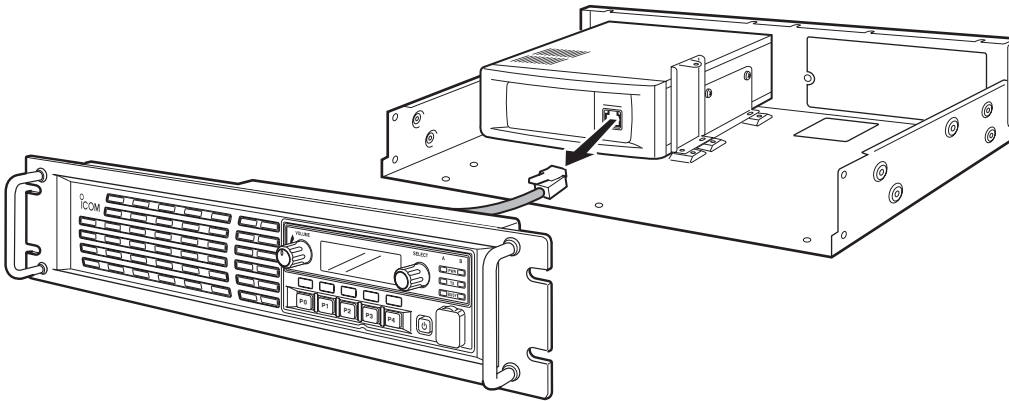
① Unscrew 11 screws from the top cover.



② Unscrew 7 screws from the front panel.

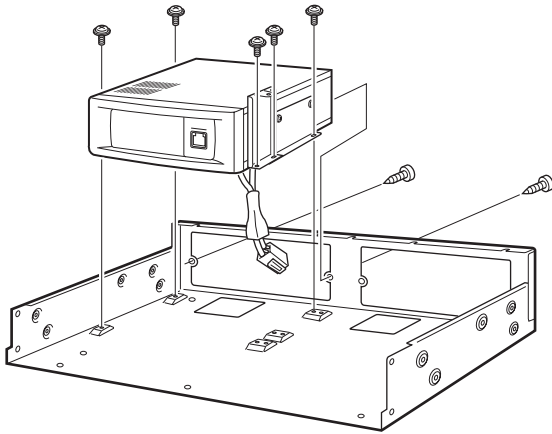


③ Disconnect the cable from the MAIN UNIT assembly, and remove the front panel.

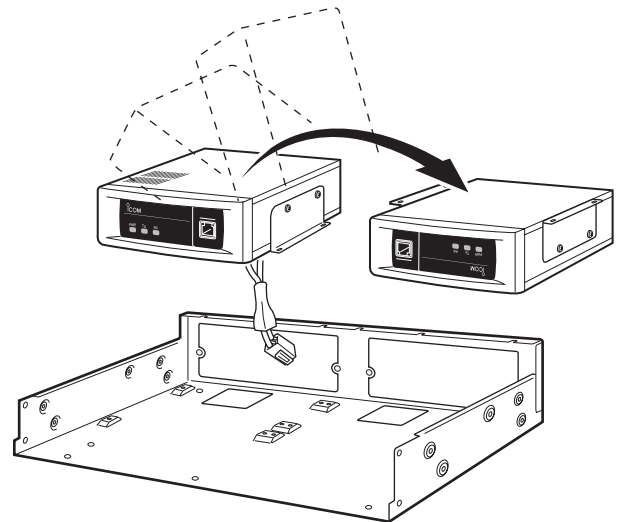


2. Removing the MAIN UNIT assembly

① Unscrew 5 screws which settles the MAIN UNIT assembly.



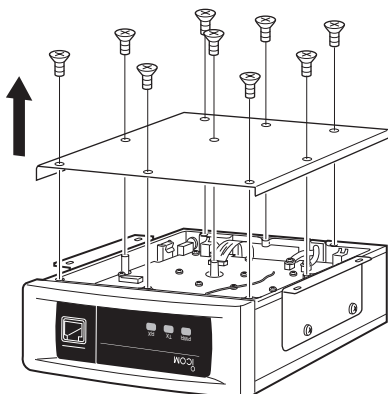
② Turn the MAIN UNIT assembly upside down.



3. Removing the MAIN UNIT

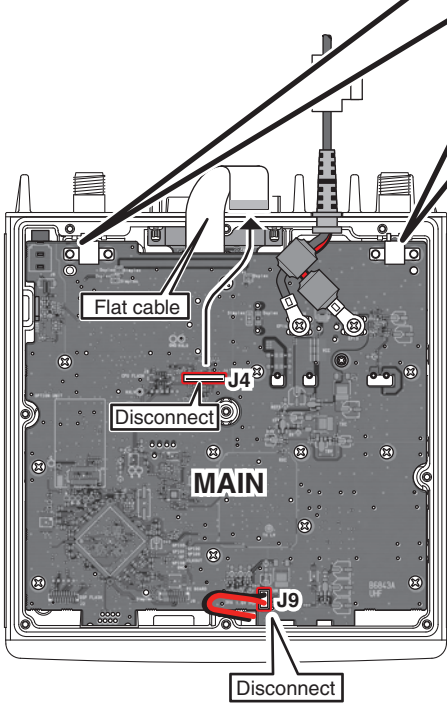
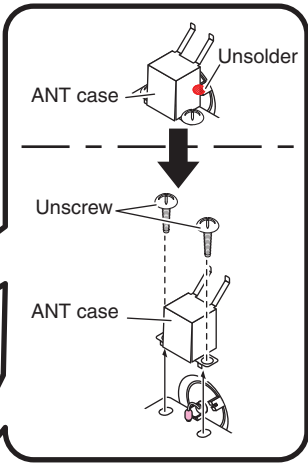
① Unscrew 9 screws, and remove the cover.

(If you are going to install an optional unit, see page 4-1 for the installation.)

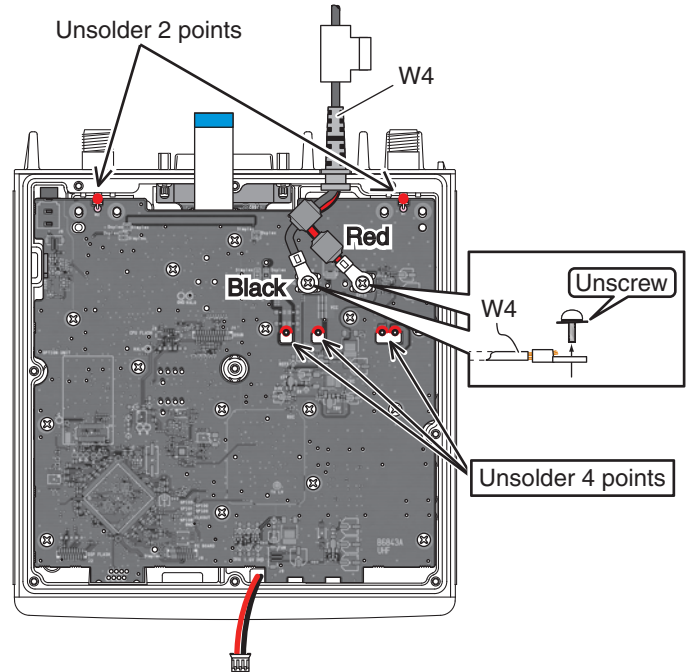


(To be continued to next page)

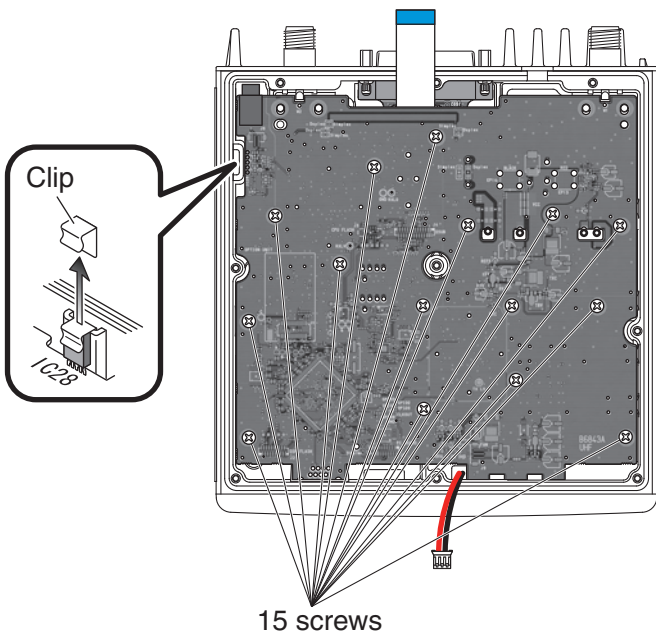
- ② Unsolder 2 points at the ANT cases.
- ③ Unscrew 4 screws from the ANT cases, and remove them.
- ④ Disconnect the flat cable from J4 and the speaker cable from J9.



- ⑤ Unsolder 2 points at the bottom of ANT connectors.
- ⑥ Unsolder 4 points at the PA module leads.
- ⑦ Unscrew 2 screws from W4.



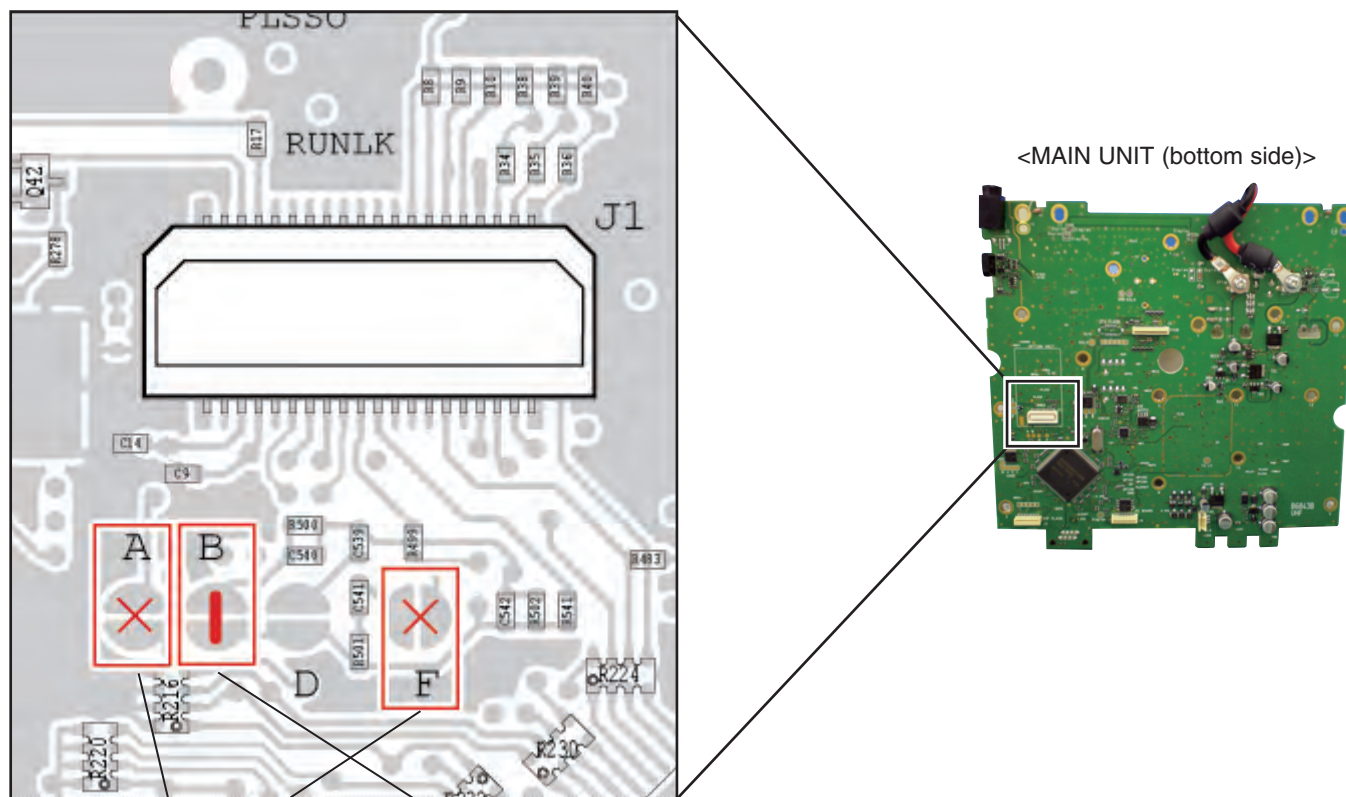
- ⑧ Remove the clip from the side of chassis.
- ⑨ Unscrew 15 screws from the MAIN UNIT, then take off the MAIN UNIT PCB from the chassis.



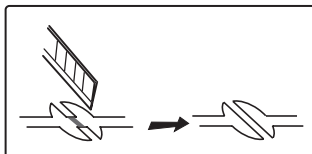
SECTION 4 OPTIONAL UNIT INSTALLATION

Install UT-109R or UT-110R as follows.

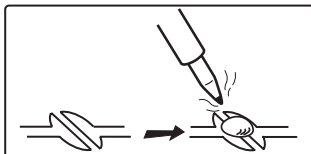
- ① Disassembly the repeater until the MAIN UNIT is exposed. (See the page 3-1)
- ② Modify the patterns on the MAIN UNIT as below.



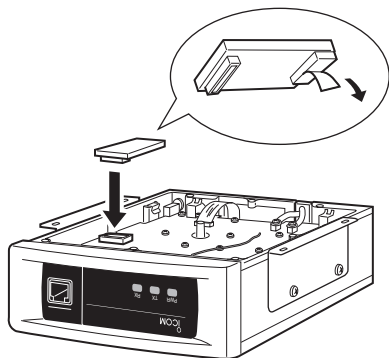
A and F; Cut the pattern



B; Short the pattern



- ③ Remove the protective paper of optional unit, and install it to the J1 as below.



- ④ Replace the cover, screws, etc. to recover the whole assembly.

NOTE: When uninstalling the scrambler unit

Be sure to recover the disconnected or connected points, otherwise no TX modulation or AF output is available.

5-1 TRANSMITTER CIRCUITS

TX PLL CIRCUIT

TX PLL IC (IC3) outputs resulting signal of phase-comparison of REF signal (15.3 MHz) and feedback OSC signal from TX VCO. The phase-difference signal is passed through the active loop filter (Q4, 10, 13) and applied to the TX VCO. The voltage of TX LV is adjusted to appropriate one. The OSC signal of TX VCO is FM-modulated by applied modulation signals.

TX VCO CIRCUITS

There are 2 VCOs; VCO for band LOW (Q23, D10, 14, L19) and band HIGH (Q22, D9, 13, L18), and these VCO (=OSC freq.) are switched by the VCO SW (Q27, 28). The OSC frequencies of these VCO are adjusted (=Locked) by the TX LV signal (Lock Voltage). The modulation signals applied to the Variable Capacitor (VD; D17 or D18) vary the capacitor reactance of it for FM modulation. The output signals of these VCOs are applied to the power AMP circuits via buffers (Q24, 35).

A portion of these output signals are passed through the doubler (Q33) to extract 2nd harmonics, then applied to the PLL IC (IC3) via the LPF.

YGR/PA CIRCUITS

The output signals from TX VCOs are amplified by pre-AMPs (Q37, 38), the amplified the PA module (IC22) to obtain required TX power. The power-amplified TX signals are passed through the ANT SW (D44) and LPF (for harmonics removal) then applied to the TX ANT.

APC CIRCUIT

D45, D48 and D49 detect the TX power and the detected voltage are applied to the IC23 of APC circuit. Comparing the detected voltage (in proportion to TX power) and power setting voltage (as a reference voltage), IC23 adjusts the bias (pin 2: VGG) of PA module to control the TX power.

MODULATION CIRCUITS

The audio signals from the Microphone (MIC signals) are applied to the MIC AMP (IC25). The amplified MIC signals are passed through the SW IC (IC35) which signal selects the source of MIC signals from J5 (from MIC) and from D-SUB connector (DEXM).

The MIC signals from the SW IC are amplified by an AMP (IC1) then applied to the LINEAR CODEC IC (IC8) where the MIC signals are converted in to the digital signals. The converted digital signals are processed (pre-emphasis, limit, etc.) by the DSP (IC12), then recovered to the analog audio signals. The AF signals are amplified by IC1 and level-adjusted by Ele.VR (IC2), then applied to the TX VCO and TCXO (X1) as the modulation signals.

SIGNALING (ENCODE)

The Continuous Tone (CTCSS/DTCS), Single Tone (5-Tone/DTMF/CW_ID) signals are encoded in the DSP (IC12), and mixed with MIC signals, level-adjusted by Ele. VR (IC2), then applied to the TX VCO and TCXO (X1) for modulation.

5-2 RECEIVER CIRCUITS

RX PLL CIRCUIT

The RX PLL IC (IC4) outputs resulting signal of phase-comparison of REF signal from the TCXO (X2: 15.3 MHz) and feedback OSC signal from RX VCO. The phase-difference signal is passed through the active loop filter (Q6, 11, 14) and applied to the RX VCO. The voltage of RX LV (lock voltage) is adjusted to appropriate one by "RX LVA" signal.

A portion of reference frequency signal from the TCXO (X2: 15.3 MHz) is passed through the tripler (Q2) to extract 3rd harmonics, then applied to the IF IC (IC5).

RX VCO

There are 2 VCOs; VCO for band LOW (Q21, D8, 16, L21) and band HIGH (Q20, D7, 15, L20), and these VCO (=OSC freq.) are switched by the VCO SW (Q26, 30). The OSC frequencies of these VCO are adjusted (=Locked) by the RX LV signal (Lock Voltage). The output signals of these VCOs are applied to the 1st mixer (L27, 32, D62) via buffers (Q25, 34) and LO AMP (Q65).

A portion of these output signals are passed through the buffer (Q25) doubler (Q32) to extract 2nd harmonics, then applied to the PLL IC (IC4) via the LPF.

RF BPF CIRCUITS

RX signals from the RX ANT connector (J11) are passed through the 1st stage of BPF (D28, 29, 31, 32, L44, 47) then amplified by the RF AMP (Q36). The amplified RX signals are passed through the 2nd stage of BPF to remove unwanted signals for good image response then applied to the 1st mixer (L27, 32, D62).

Being mixed with 1st LO from the RX VCO, the RX signals are converted into the 46.35 MHz 1st IF signal. The 1st and 2nd stage of the BPF are tune to the pass band frequency by applying the tracking voltage "T1" and "T2" from the DAC (IC17). The gain of low noise RF AMP (Q36) is controlled by the AGC circuit (Q39, D27) according to the RX signal strength.

IF FILTER/IF AMP CIRCUITS

The 1st IF signal from the 1st mixer (L27, 32, D62) is amplified by the post AMP (Q63, 64) and 1st stage of IF AMP (Q7) then filtered by crystal filter (F13 or F14), and then applied to the IF IC (IC5).

The crystal filters (F13 or F14) are switched by the "NWC 1" signal from the CPU (IC20) according to the RX mode; Wide (Middle), Narrow and Digital.

<ANALOG RX>

Being mixed with the 2nd LO, the 1st IF signal is converted into the 450 kHz 2nd IF signal then detected by the internal quadrature detector (X3 as a discriminator) to demodulate. The demodulated AF signals are amplified by the AF AMP (IC36), and applied to the LINER CODEC (IC8). The AF signals are converted into the digital signal then processed by the DSP (IC12) then recovered to the analog audio signals.

The ceramic filters (F11 or F12) are switched by the "NWC2" signal from the CPU (IC20) according to the RX mode; Wide (Middle), Narrow and Digital.

<DIGITAL RX>

The 450 kHz 2nd IF signal is amplified by IC7 then applied to the DSP (IC12) via ADC (IC9) and digital demodulated. The processed digital signal is converted into the analog audio signal by the LINEAR CODEC (IC8).

AF AMPLIFIER CIRCUITS

The AF signals from the LINEAR CODEC are amplified by the AF AMP (IC36) and level-adjusted by DAC (IC2), then applied to IC28 via IC29 to be power-amplified.

SIGNALING (DECODE)

The Continuous Tone (CTCSS/DTCS), Single Tone (5-Tone/DTMF/CW_ID) signals in the demodulated AF signals are decoded in the DSP (IC8).

5-3 OTHER CIRCUITS

POWER SUPPLY

The power supply is switched by Q57 (ON/OFF). 5V (REF5) from the regulator (IC30) is passed through L58 to supply to CPU. The 5V also supplies to other sections of the repeater via Q41 as "+5V."

8V from the regulator (IC27) are supplies to various circuits, and also supplies to TX circuits as "T8V" and RX circuits as "8V."

5V from the regulator (IC39) supplies DSP as "DSP5" and supplies logic circuits; CPU, DSP, etc. via regulators (IC13, 14, 15).

The regulator "F8V" (IC41) provides the supply for FRONT UNIT.

COMPANDER

The compander in the DSP (IC12) compresses the amplitude of MIC signals in TX, and expands in RX to provide high quality recovered sounds.

LED

DS1 (BUSY), DS2(PWR) and DS3 (TX) indicate the repeater's status: Power ON, T/RX and Cloning.

5-4 CPU (M: IC20) PORT ALLOCATION

Pin No.	LINE NAME	DESCRIPTION	IN/OUT	CONDITION
140-144	D0-D4	DSP data bus line.	I/O	-
1-11	D5-D15	DSP data bus line.	I/O	-
15-28	A1-A14	DSP data bus line.	I/O	-
29	HRW	DSP data line.	I/O	-
32	FANS	Cooling fan (CH: MF1) rotation detect.	I	"H"=While the cooling fan is rotating.
33	TLED	TX indicator LED control signal.	O	"H"=TX
34	LEDR	RX indicator LED control signal.	O	"H"=Squelch open.
35	PLSCK	PLL (M: IC4) serial clock.	O	-
36	PLSSO	PLL (M:IC4) serial data.	O	-
41	PWON	Power line "VCC" control signal.	O	"H"=Power ON.
42	AFON2	AF power AMP. (M: IC28) control signal.	O	"H"=AF power AMP ON.
43	AFON	AF output select signal.	O	"H"=AF signals are output from the [ACCESSORY CONNECTOR].
44	ESCL	Serial clock to the EEPROM (M: IC21).	O	-
45	ESDA	Serial data to the EEPROM (M: IC21).	O	-
46	TXC	TX power line "T8V" control signal.	O	"H"=TX
47	RXC	RX power line "R8V" control signal.	O	"H"=RX
48	RPLST	RX PLL (M: IC4) strobe.	O	-
49	TPLST	TX PLL (M: IC3) strobe.	O	-
50	RUNLK	RX PLL (M: IC4) unlock signal.	I	"L"=Unlocked
51	TUNLK	TX PLL (M: IC3) unlock signal.	I	"L"=Unlocked
52	XCTS	Serial data from the RS-232 line driver (M: IC26).	I	-
53	XRTS	Serial data to the RS-232 line driver (M: IC26).	O	-
55	EXDA	External D/A port.	O	-
56	BEEP	Beep sounds (square waves).	O	-
57-59	OPV3-OPV1	Optional unit detect.	I	-
60	MMUT	MIC mute signal to the installed optional unit.	O	"H"=MIC mute
61	HANG	Microphone hang-up detect.	I	"L"=Hang-up
62	PTT	[PTT] key input. (pull up)	I	-
63	RMUT	RX mute signal to the installed optional unit.	O	"H"=RX mute
64	EXAD	External A/D port.	I	-
65	TEMP	Temperature detect.	I	-
68	RLVIN	RX PLL lock voltage.	I	-
69	BATV	Voltage monitor (divided voltage of "VCC").	I	-
70	TLVIN	TX PLL lock voltage.	I	-
71	RSSI	RSSI signal from the IF IC (M: 5).	I	-
74	XTXD	External data to the RS-232 driver (M: IC26).	O	-
75	XRXD	External data from the RS-232 driver (M: IC26).	I	-
76	TMUT	TX mute signal.	O	"H"=TX mute
77	HINT	DSP IC control signal.	O	-
78	INT1	DSP IC control signal.	O	-
79	HRDY	DSP IC control signal.	O	-
81	HDS1	DSP IC control signal.	O	-
82	HDS2	DSP IC control signal.	O	-
100	RES	CPU reset signal from the reset IC (F: IC501).	O	-
101-108	EXIO1-EXIO8	External data bus line.	I/O	+5 V pull-up
112	POSW	[PWR] key input. (pull-up)	I	-
113	NOIS	Noise detect.	I	"H"=RX signal is absent (squelch close).
114	CSFT	Clock frequency shift signal.	O	-
119	SSO	Serial data to the seri-para converter (M: IC31).	O	-
120	SCK	Clock signal to the seri-para converter (M: IC31).	O	-
121	EXIO9	External data bus line.	I/O	+5 V pull-up
122	DSDA	Serial data to the DAC (M: IC17).	O	-

3-4 CPU (M: IC20) PORT ALLOCATION (continued)

Pin No.	LINE NAME	DESCRIPTION	IN/OUT	CONDITION
123	DAST	Strobe to the DAC (M: IC2).	O	-
125	FMDA	Data from the FRONT CPU (F: IC502).	I	-
126	MFDA	Data to the FRONT CPU (F: IC502).	O	-
127	OPT2	Port for optional unit.	O	-
128	OPT1	Port for optional unit.	I	-
129	OPT3	Port for optional unit.	I	-
131	CSO	Port for optional unit.	O	-
132	CSI	Port for optional unit.	I	-
133	EXOE	Output enable signal to the seri-para converter (M: IC31).	O	-
134	EXST	Strobe to the seri-para converter (M: IC31).	O	-
135	DRES	Reset signal to the DSP IC (M: IC12).	O	-
136	HCS	DSP data line.	I/O	-
138	GPIO2	DSP data line.	I/O	-
139	GPIO1	DSP data line.	I/O	-

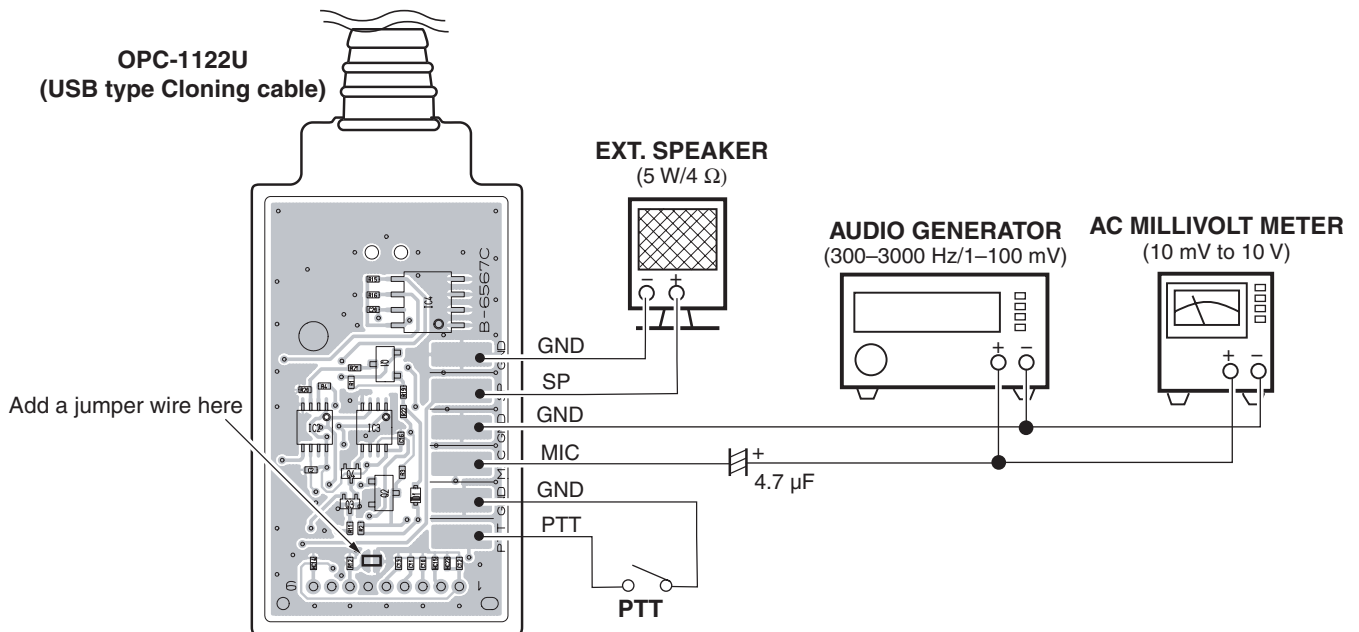
SECTION 6 ADJUSTMENT PROCEDURE

6-1 PREPARATION

REQUIRED EQUIPMENTS

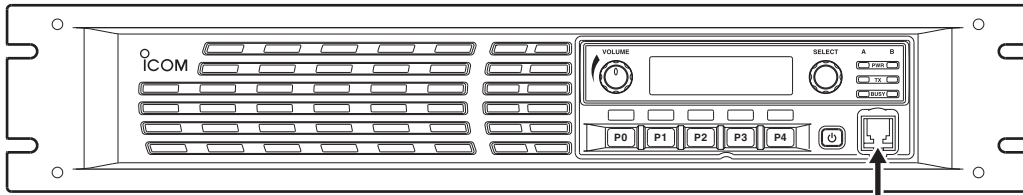
EQUIPMENT	SPECIFICATION	EQUIPMENT	SPECIFICATION
Adjustment Software	"CS-FR5000" (Revision 1.0 or later)	JIG cable	Modified OPC-1122U (USB type) (see the illust below)
Power Supply	Output voltage : 13.6 V DC [FR6000] 13.2 V DC [FR6100] Current capacity : More than 20 A [FR6000] More than 10 A [FR6100]	Attenuator	Power attenuation : 40 dB Capacity : More than 60 W [FR6000] More than 30 W [FR6100]
RF Power Meter (terminated type)	Measuring range : 1–60 W [FR6000] 1–30 W [FR6100] Frequency range : 100–600 MHz Impedance : 50 Ω SWR : Less than 1.2 : 1	Standard Signal Generator (SSG)	Frequency range : 0.1–600 MHz Output level : 0.1 mV to 32 mV (–127 to –17 dBm)
Frequency Counter	Frequency range : 0.1–600 MHz Frequency accuracy : ±1 ppm or better Input level : Less than 1 mW	Audio Generator	Frequency range : 300–3000 Hz Output level : 1–500 mV
		AC Millivoltmeter	Measuring range : 10 mV to 10 V
Modulation Analyzer	Frequency range : 30–600 MHz Measuring range : 0 to ±10 kHz	Oscilloscope	Frequency range : DC–20 MHz Measuring range : 0.01–20 V
		External Speaker	Input impedance : 4 Ω Capacity : More than 5 W

JIG CABLE

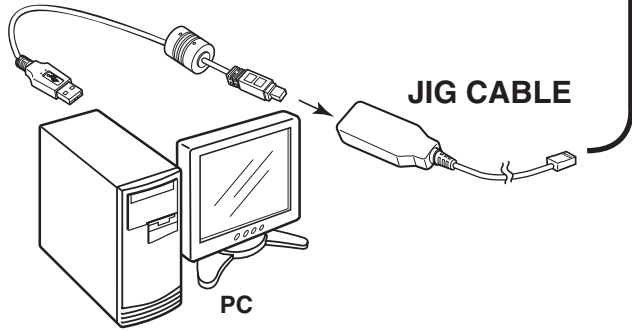


■ CONNECTION

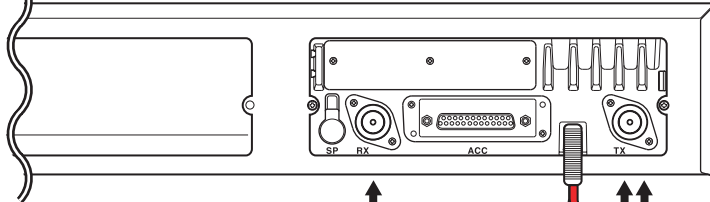
<Front view>



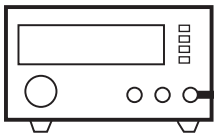
to the [MICROPHONE CONNECTOR]



<Rear view>

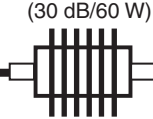


STANDARD SIGNAL GENERATOR
(0.1–600 MHz)

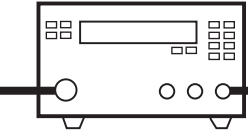


20 A fuses

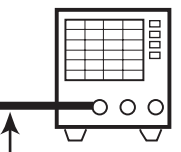
ATTENUATOR
(30 dB/60 W)



MODULATION ANALYZER
(0.1–600 MHz)

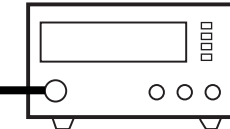


OSCILLOSCOPE
(DC to 10 kHz)



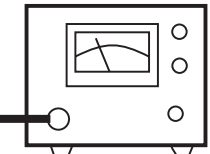
(Detect output)

FREQUENCY COUNTER
(0.1–600 MHz)

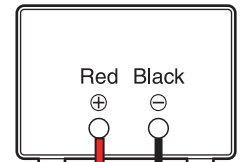


(Loose Coupling)

RF POWER METER



DC power supply



Red + Black -

DC power cable

ADJUSTMENT CHANNEL LISTS

Clone the adjust channels into the repeater before starting adjustment. Each channel must be assigned [Frequency], [RF PWR], [CH Type], [TX C. Tone] and [W/N] as below.

• Channel list for [Low band] version

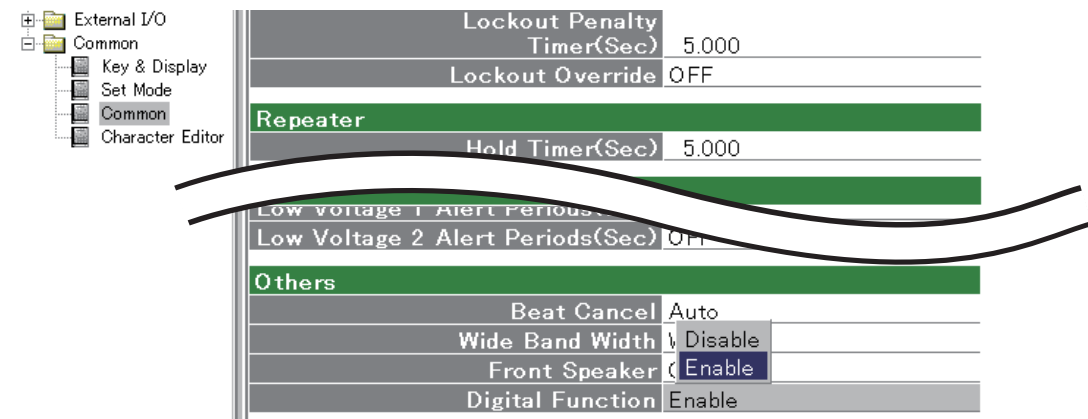
CH	Atr	Inh	Operation Mode	Frequency (MHz)			Text	TOT			RF PWR	Lock-out	to an	CH Type	Au Res	FM	
				RX	TX	TX Inh		Local Mic	Repeat/EPTT	TX C.Tone						W/N	
1- 1	AB		Simplex	400.100000	<-		LV L ADJ				L1		Analog	Tim		W	
1- 2			Simplex	435.100000	<-		LV H ADJ				L1		Analog	Tim		W	
1- 3			Simplex	434.950000	<-		LV L VRFY				L1		Analog	Tim		W	
1- 4			Simplex	469.900000	<-		LV H VRFY				L1		Analog	Tim		W	
1- 5			Simplex	469.900000	<-		TX Freq				L1		Analog	Tim		W	
1- 6			Simplex	400.100000	<-		TX PWR Hi				H		Analog	Tim		W	
1- 7			Simplex	400.100000	<-		TX PWR L2				L2		Analog	Tim		W	
1- 8			Simplex	400.100000	<-		TX PWR L1				L1		Analog	Tim		W	
1- 9			Simplex	400.100000	<-		BAL				L1		Analog	Tim		W	
1- 10			Simplex	435.100000	<-		BAL Offset				L1		Analog	Tim		W	
1- 11			Simplex	400.100000	<-		DG Dev.				L1		Digital	Tim	----	-	
1- 12			Simplex	411.500000	<-		DG Dev. 0				L1		Digital	Tim	----	-	
1- 13			Simplex	423.200000	<-		DG Dev. 1				L1		Digital	Tim	----	-	
1- 14			Simplex	434.900000	<-		DG Dev. 2				L1		Digital	Tim	----	-	
1- 15			Simplex	435.100000	<-		DG Dev. Offs				L1		Digital	Tim	----	-	
1- 16			Simplex	446.600000	<-		DG Dev. 3				L1		Digital	Tim	----	-	
1- 17			Simplex	458.300000	<-		DG Dev. 4				L1		Digital	Tim	----	-	
1- 18			Simplex	469.900000	<-		DG Dev. 5				L1		Digital	Tim	----	-	
1- 19			Simplex	400.100000	<-		AN Dev. W				L1		Analog	Tim		W	
1- 20			Simplex	400.100000	<-		AN Dev. M				L1		Analog	Tim		W	
1- 21			Simplex	400.100000	<-		AN Dev. N				L1		Analog	Tim		N	
1- 22			Simplex	400.100000	<-		CT/DT Dev.				L1		Analog	Tim	151.4	W	
1- 23			Simplex	400.100000	<-	i	BPF C T2				L1		Analog	Tim		W	
1- 24			Simplex	469.900000	<-	i	BPF H ALL				L1		Analog	Tim		W	
1- 25			Simplex	400.100000	<-	i	RSSI				L1		Analog	Tim		W	
1- 26			Simplex	400.100000	<-	i	SQL				L1		Analog	Tim		W	


• Channel list for [High band] version

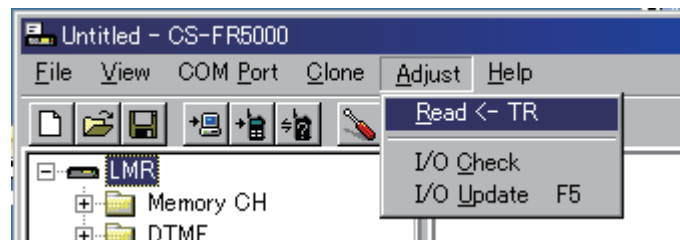
CH	Atr	Inh	Operation Mode	Frequency (MHz)			Text	TOT			RF PWR	Lock-out	to an	CH Type	Au Res	FM	
				RX	TX	TX Inh		Local Mic	Repeat/EPTT	TX C.Tone						W/N	
1- 1	AB		Simplex	450.100000	<-		LV L ADJ				L1		Analog	Tim		W	
1- 2			Simplex	485.100000	<-		LV H ADJ				L1		Analog	Tim		W	
1- 3			Simplex	484.950000	<-		LV L VRFY				L1		Analog	Tim		W	
1- 4			Simplex	519.900000	<-		LV H VRFY				L1		Analog	Tim		W	
1- 5			Simplex	519.900000	<-		TX Freq				L1		Analog	Tim		W	
1- 6			Simplex	450.100000	<-		TX PWR Hi				H		Analog	Tim		W	
1- 7			Simplex	450.100000	<-		TX PWR L2				L2		Analog	Tim		W	
1- 8			Simplex	450.100000	<-		TX PWR L1				L1		Analog	Tim		W	
1- 9			Simplex	450.100000	<-		BAL				L1		Analog	Tim		W	
1- 10			Simplex	485.100000	<-		BAL Offset				L1		Analog	Tim		W	
1- 11			Simplex	450.100000	<-		DG Dev.				L1		Digital	Tim	----	-	
1- 12			Simplex	461.500000	<-		DG Dev. 0				L1		Digital	Tim	----	-	
1- 13			Simplex	473.200000	<-		DG Dev. 1				L1		Digital	Tim	----	-	
1- 14			Simplex	484.900000	<-		DG Dev. 2				L1		Digital	Tim	----	-	
1- 15			Simplex	485.100000	<-		DG Dev. Offs				L1		Digital	Tim	----	-	
1- 16			Simplex	496.600000	<-		DG Dev. 3				L1		Digital	Tim	----	-	
1- 17			Simplex	508.300000	<-		DG Dev. 4				L1		Digital	Tim	----	-	
1- 18			Simplex	519.900000	<-		DG Dev. 5				L1		Digital	Tim	----	-	
1- 19			Simplex	450.100000	<-		AN Dev. W				L1		Analog	Tim		W	
1- 20			Simplex	450.100000	<-		AN Dev. M				L1		Analog	Tim		W	
1- 21			Simplex	450.100000	<-		AN Dev. N				L1		Analog	Tim		N	
1- 22			Simplex	450.100000	<-		CT/DT Dev.				L1		Analog	Tim	151.4	W	
1- 23			Simplex	450.100000	<-	i	BPF C T2				L1		Analog	Tim		W	
1- 24			Simplex	519.900000	<-	i	BPF H ALL				L1		Analog	Tim		W	
1- 25			Simplex	450.100000	<-	i	RSSI				L1		Analog	Tim		W	
1- 26			Simplex	450.100000	<-	i	SQL				L1		Analog	Tim		W	

WHOLE PROCEDURE OF THE ADJUSTMENT

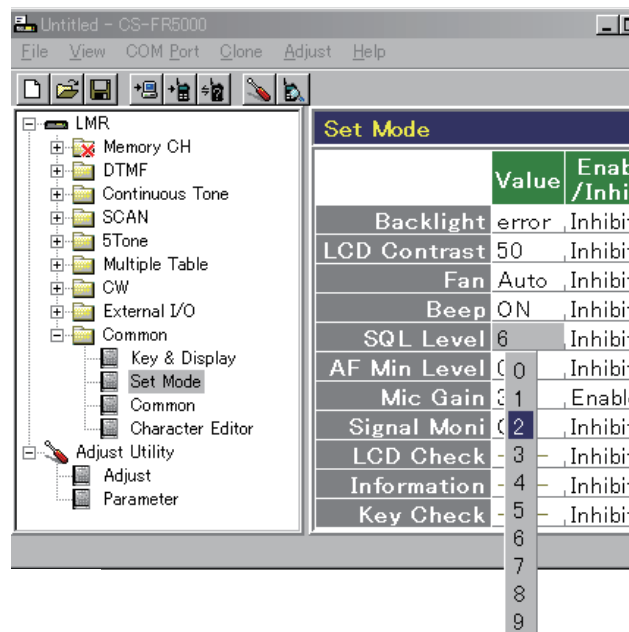
- ① Connect the repeater and PC with the JIG cable (see the page 6-2).
- ② Turn the repeater power ON.
- ③ Boot up 'CS-FR5000.'
- ④ Set the [Digital Function] to "Enable."



- ④ Click  or [Read ← TR] in the [Adjust] menu, then the "Adjust Utility" window (see the page 6-5) appears.

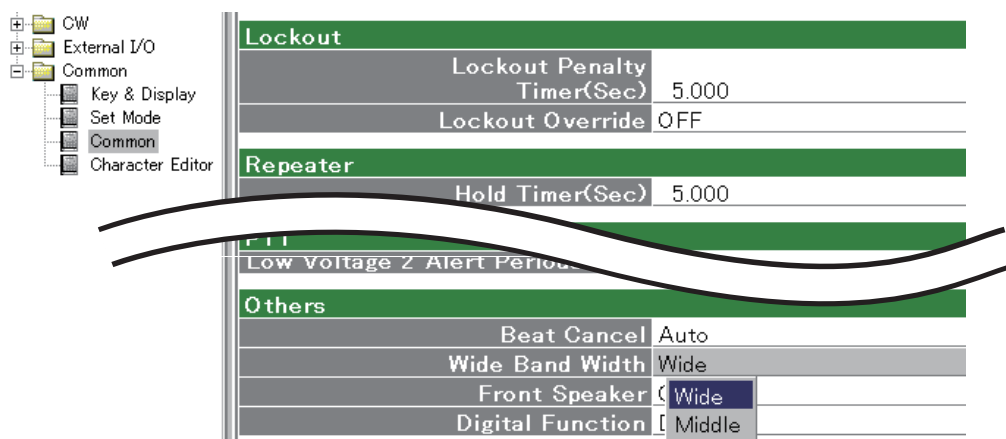


- ⑤ Set or modify adjustment values as specified in the guidances on the pages 6-6 to 6-9.



*For [FR6100]:

Set the [Wide Band Width] to "Middle" when adjust "ANALOG DEVIATION" in Middle mode.



ADJUST UTILITY WINDOW

Adjust Utility				
Setting				
	CH No.	1	Receive Sim	
	RX Freq.		451.10000MHz	
	TX Freq.		452.10000MHz	
	RF Power.		Low	
	W/N		Wide	
	CH Type		RX=Digital TX=Digital	
Mode setting	TX Mode	17	Digital PNB	
	RX Mode	2	Digital	
	AF Volume	0	[-----]	
Adjust				
TX output power	Power (H)	208	[-----]	
	Power (L2)	150	[-----]	
	Power (L1)	76	[-----]	
Analog deviation	MOD (Wide)	139	[-----]	
	MOD (Mid)	144	[-----]	
	MOD (Narrow)	65	[-----]	
	MOD (Digital)	105	[-----]	
CTCSS/DTCS deviation	CTCSS/DTCS	137	[-----]	
	S.Tone	75	[-----]	
Squelch	SQL	50	[-----]	
Expert				
TX frequency	RX REF	178	[-----]	
	TX REF	126	[-----]	
Lock volatge (Preset)	RX LVA L	80	[-----] [Enter] to Sweep	
	RX LVA H	62	[-----] [Enter] to Sweep	
	TX LVA L	166	[-----] [Enter] to Sweep	
	TX LVA H	105	[-----] [Enter] to Sweep	
Lock volatge (Adjustment)	LV (RX L)	36	0.70V	
	LV (RX H)	36	0.70V	
	LV (TX L)	36	0.70V	
	LV (TX H)	36	0.70V	
S-meter	RSSI	74	[Enter] to Capture	
Modulation balance	BAL	174	[-----]	
	BAL Offset (High)	0	[-----]	
Modulation balance (High)	PWR Hi Slant Band 0	0	[-----] 399.900000 - 411.599999 MHz	
	PWR Hi Slant Band 1	3	[-----] 411.600000 - 423.299999 MHz	
	PWR Hi Slant Band 2	4	[-----] 423.300000 - 434.999999 MHz	
	PWR Hi Slant Band 3	25	[-----] 435.000000 - 446.699999 MHz	
	PWR Hi Slant Band 4	8	[-----] 446.700000 - 458.399999 MHz	
	PWR Hi Slant Band 5	6	[-----] 458.400000 - 470.099999 MHz	
	PWR Hi Slant Band 6	0	[-----] 470.100000 - 481.799999 MHz	
	PWR L2 Slant Band 0	0	[-----] 399.900000 - 411.599999 MHz	
	PWR L2 Slant Band 1	4	[-----] 411.600000 - 423.299999 MHz	
	PWR L2 Slant Band 2	4	[-----] 423.300000 - 434.999999 MHz	
	PWR L2 Slant Band 3	17	[-----] 435.000000 - 446.699999 MHz	
	PWR L2 Slant Band 4	8	[-----] 446.700000 - 458.399999 MHz	
	PWR L2 Slant Band 5	6	[-----] 458.400000 - 470.099999 MHz	
	PWR L2 Slant Band 6	0	[-----] 470.100000 - 481.799999 MHz	
	PWR L1 Slant Band 0	0	[-----] 399.900000 - 411.599999 MHz	
	PWR L1 Slant Band 1	0	[-----] 411.600000 - 423.299999 MHz	
	PWR L1 Slant Band 2	2	[-----] 423.300000 - 434.999999 MHz	
	PWR L1 Slant Band 3	14	[-----] 435.000000 - 446.699999 MHz	
PWR L1 Slant Band 4	6	[-----] 446.700000 - 458.399999 MHz		
PWR L1 Slant Band 5	4	[-----] 458.400000 - 470.099999 MHz		
PWR L1 Slant Band 6	0	[-----] 470.100000 - 481.799999 MHz		
Digital deviation	MOD Slant Band 0	0	[-----] 399.900000 - 411.599999 MHz	
	MOD Slant Band 1	-9	[-----] 411.600000 - 423.299999 MHz	
	MOD Slant Band 2	-13	[-----] 423.300000 - 434.999999 MHz	
	MOD Slant Band 3	-2	[-----] 435.000000 - 446.699999 MHz	
	MOD Slant Band 4	-5	[-----] 446.700000 - 458.399999 MHz	
	MOD Slant Band 5	2	[-----] 458.400000 - 470.099999 MHz	
	MOD Slant Band 6	0	[-----] 470.100000 - 481.799999 MHz	
	MOD Offset (High)	0	[-----]	
*2Receive sensitivity (Band center)	BPF C ALL		[Enter] to Sweep	
	*1Receive sensitivity preset	BPF T1 C	4 [-----] [Enter] to Sweep	
	*1Receive sensitivity (Band center)	BPF T2 C	25	[-----] [Enter] to Sweep
		BPF L ALL		[Enter] to Sweep
	Receive sensitivity (Band high)	BPF T1 L	80	[-----] [Enter] to Sweep
		BPF T2 L	45	[-----] [Enter] to Sweep
		BPF H ALL		[Enter] to Sweep
		BPF T1 H	69	[-----] [Enter] to Sweep
BPF T2 H		53	[-----] [Enter] to Sweep	

*1[Low band] only
*2[High band] only

6-2 FREQUENCY ADJUSTMENT

- 1) Select an adjustment item using cursor or [↑] / [↓] keys of the PC's keyboard.
- 2) Set or modify the adjustment value as specified using [←] / [→] keys of the PC's keyboard, then push the [ENTER] key.

ADJUSTMENT	ADJUSTMENT CONDITION	OPERATION	ADJUSTMENT ITEM	VALUE
PLL LOCK VOLTAGE -Preparation-	1	–	[LV (RX L)] [LV (RX H)] [LV (TX L)] [LV (TX H)]	36 [0.70V] (for each item)
-Adjust-RX (Band low)	2	• CH. : 1-1 • Receiving	[RX LVA L]	(Automatic adjustment)
RX (Band high)	3	• CH. : 1-2 • Receiving	[RX LVA H]	
TX (Band low)	4	• CH. : 1-1 • Transmitting	[TX LVA L]	
TX (Band high)	5	• CH. : 1-2 • Transmitting	[TX LVA H]	
LOCK VOLTAGE VERIFY	1	• CH. : 1-3 • Receiving	[RX LIVIN] (I/O Check window)	3.0–4.3 V (Verify)
RX (Band low)	2	• CH. : 1-4 • Receiving		3.0–4.0 V (Verify)
RX (Band high)	3	• CH. : 1-3 • Transmitting	[TX LIVIN] (I/O Check window)	2.7–4.0 V (Verify)
TX (Band low)	4	• CH. : 1-4 • Transmitting		3.0–4.2 V (Verify)
TX (Band high)	1	–	[TX Mode]	"1"
TX FREQUENCY	2	• CH. : 1-5 • Transmitting	[TX REF]	470.0000 MHz [Low band] 520.0000 MHz [High band]

• I/O CHECK WINDOW

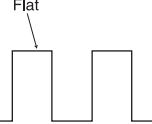
I/O Check			
Input	Dec	Hex	Data
VIN	180	B4	14.12V
TEMP5	100	06	38.21°C
RX LVIN	116	74	2.27V
TX LVIN	219	DB	4.29V
SD	28	1C	0.55V
Output	Dec	Hex	Data
BPF T1	165	A5	3.24V
BPF T2	253	FD	4.96V
RF POWER	0	0	0.00V
RX LVA	165	A5	3.24V
TX LVA	145	91	2.84V
RX REF	77	4D	1.51V
TX REF	126	7E	2.47V
MOD BAL	0	0	0.00V
DEV	43	2B	0.84V
FANV	255	FF	5.00V

Lock voltage verify

6-3 TRANSMIT ADJUSTMENT

1) Select an adjustment item using cursor or [↑] / [↓] keys of the PC's keyboard.

2) Set or modify the adjustment value as specified using [←] / [→] keys of the PC's keyboard, then push the [ENTER] key.

ADJUSTMENT		ADJUSTMENT CONDITION	OPERATION	ADJUSTMENT ITEM	VALUE
TX Output Power -Preparation-		1	• Connect an RF power meter to the TX antenna connector.	–	–
-Adjust- (Hi Power)		2	1) Adjust the TX output power using [←] / [→] keys of the PC's keyboard. 2) Push the [ENTER] key to store the adjust value.	[Power(Hi)]	50 W [FR6000] 25 W [FR6100]
(L2 Power)		3		[Power(L2)]	25 W [FR6000] 10 W [FR6100]
(L1 Power)		4		[Power(L1)]	5 W [FR6000] 2.5 W [FR6100]
MODULATION BALANCE -Preparation-		1	• Connect a Modulation Analyzer to the TX antenna connector through an attenuator.	–	–
		2	• Connect an Audio Generator to the MIC line through the JIG cable.	–	–
		3	–	[TX Mode]	"2"
-Adjust- (VCO 1)		4	1) Adjust the wave form using [←] / [→] keys of the PC's keyboard. 2) Push the [ENTER] key to store the adjust value.	[BAL]	(square wave form)
(VCO 2)		5		[BAL Offset (High)]	
DIGITAL DEVIATION -Preparation-		1	–	[TX Mode]	"16"
		2	• Connect a Modulation Analyzer to the TX antenna connector through an attenuator.	–	–
-Adjust- (Band 1)		3	1) Adjust the deviation using [←] / [→] keys of the PC's keyboard. 2) Push the [ENTER] key to store the adjust value.	[MOD (Digital)]	±1.39–1.43 kHz
(Band 2)		4		[MOD Slant Band 0]	
(Band 3)		5		[MOD Slant Band 1]	
(Band 4)		6		[MOD Slant Band 2]	
(Band 5)		7		[MOD Offset (High)]	
(Band 6)		8		[MOD Slant Band 3]	
(Band 7)		9		[MOD Slant Band 4]	
(Band 8)		10		[MOD Slant Band 5]	

6-3 TRANSMIT ADJUSTMENT (continued)

- 1) Select an adjustment item using cursor or [↑] / [↓] keys of the PC's keyboard.
- 2) Set or modify the adjustment value as specified using [←] / [→] keys of the PC's keyboard, then push the [ENTER] key.

ADJUSTMENT	ADJUSTMENT CONDITION	OPERATION	ADJUSTMENT ITEM	VALUE
ANALOG DEVIATION -Preparation-	1	–	• Set the item [TX Mode] to "1."	[TX Mode] "1"
	2	• Connect a Modulation Analyzer to the TX antenna connector through an attenuator.	• Set the Modulation Analyzer as; HPF : OFF LPF : 20 kHz De-emphasis : OFF Detector : (P-P)/2	– –
	3	• Connect an Audio Generator to the MIC line through the JIG cable.	• Set the Audio Generator as; Modulation : 1 kHz Level : 40 mV rms Wave form : Sine wave	– –
-Adjust- (Wide)	4	• CH. : 1-10 • Transmitting	1) Adjust the deviation using [←] / [→] keys of the PC's keyboard. 2) Push the [ENTER] key to store the adjust value.	[MOD (Wide)] ±4.05–4.15 kHz
(Middle) <[FR6100] only>	5	• CH. : 1-11 • [Wide Band Width] : "Middle" (see the page 6-4) • Transmitting		[MOD (Middle)] ±3.15–3.25 kHz
(Narrow)	6	• CH. : 1-12 • Transmitting		[MOD (Narrow)] ±2.05–2.15 kHz
CTCSS/DTCSS DEVIATION -Preparation-	1	–	• Set the item [TX Mode] to "3."	[TX Mode] "3"
-Adjust-	2	• CH. : 1-19 • Transmitting	1) Adjust the deviation using [←] / [→] keys of the PC's keyboard. 2) Push the [ENTER] key to store the adjust value.	[CTCSS] ±0.68–0.72 kHz

6-4 RECEIVE ADJUSTMENT

- 1) Select an adjustment item using cursor or [↑] / [↓] keys of the PC's keyboard.
- 2) Set or modify the adjustment value as specified using [←] / [→] keys of the PC's keyboard, then push the [ENTER] key.

ADJUSTMENT	ADJUSTMENT CONDITION	OPERATION	ADJUSTMENT ITEM/POINT	VALUE
RECEIVE SENSITIVITY -Preparation-	1	–	• Set the item [RX Mode] to "1."	[RX Mode] "1"
	2	• Connect an SSG to the RX antenna connector.	• Set the SSG as; Frequency : 400.000 MHz [FR6000] 450.00 MHz [FR6100] Level : +20 dBμ Modulation : 1 kHz Deviation : 3.5 kHz	– –
-Adjust- (Band center) For [Low band] version	3	• CH. : 1-20 • Receiving	1) Set the item [BPFT1 C] to "10." 2) Select the item [BPF T2 C], then push the [ENTER] key.	[BPFT1 C] "10"
			[BPF T2 C]	(Automatic adjustment)
-Adjust- (Band center) For [High band] version		• CH. : 1-20 • Receiving	• Select the item [BPF C ALL], then push the [ENTER] key.	
(Band high)	4	• CH. : 1-21 • Receiving	• Select the item [BPF H ALL], then push the [ENTER] key.	[BPF H ALL]

6-4 RECEIVE ADJUSTMENT (continued)

- 1) Select an adjustment item using cursor or [↑] / [↓] keys of the PC's keyboard.
- 2) Set or modify the adjustment value as specified using [←] / [→] keys of the PC's keyboard, then push the [ENTER] key.

ADJUSTMENT	ADJUSTMENT CONDITION	OPERATION	ADJUSTMENT ITEM/POINT	VALUE	
S-METER -Preparation-	NOTE: "RECEIVE SENSITIVITY" MUST be adjusted before "S-METER." When "RECEIVE SENSITIVITY" is re-adjusted, "S-METER" MUST be re-adjusted too.				
	1	<ul style="list-style-type: none"> • Connect an SSG to the RX antenna connector. 	<ul style="list-style-type: none"> • Set the SSG as; Frequency : 400.000 MHz [Low band] 450.00 MHz [High band] Modulation : 1 kHz Deviation : 3.5 kHz 	-	-
-Adjust- (S3 level)	2	<ul style="list-style-type: none"> • CH. : 1-22 • Receiving 	1) Set the SSG as; Level : +23 dB μ 2) Select the item [RSSI S3 Level] , then push the [ENTER] key to store the adjust value.	[RSSI S3 Level]	(Automatic adjustment)
(S1 level)	3	<ul style="list-style-type: none"> • CH. : 1-22 • Receiving 	1) Set the SSG as; Level : -7 dB μ 2) Select the item [RSSI S1 Level] , then push the [ENTER] key, to store the adjust value.	[RSSI S1 Level]	(Automatic adjustment)
SQUELCH -Preparation-	1	-	<ul style="list-style-type: none"> • Set the item [SQL Level] to "2." 	[SQL Level]	"2"
	2	<ul style="list-style-type: none"> • Connect an SSG to the RX antenna connector. 	<ul style="list-style-type: none"> • Set the SSG as; Frequency : 400.000 MHz [Low band] 450.00 MHz [High band] Modulation : 1 kHz Deviation : 3.5 kHz Level : -14 dBμ 	-	-
-Adjust-	2	<ul style="list-style-type: none"> • CH. : 1-23 • Receiving 	1) Decrease the adjustment value [SQL] to close the squelch once, then increase the value to open the squelch. 2) Select the item [SQL] , then push the [ENTER] key to store the adjust value.	[SQL]	(Automatic adjustment)

[FRONT UNIT]

REF NO.	ORDER NO.	DESCRIPTION	M.	H/V LOCATION
SP501	2510001221	SP C052SB500-14		
W501	8900011800	CBL OPC-1199		
W502	8900017540	CBL OPC-1785		
EP501	8930065150	LCT SRCN-2781-SP-N-W		
EP503	6910019600	SCR LM-5		
EP504	6910019610	SCR LM-7 (SPACER)		

[MAIN UNIT]

REF NO.	ORDER NO.	DESCRIPTION	M.	H/V LOCATION
IC1	1110005330	S.IC NJM12904V-TE1	T	58.1/71.4
IC2	1110007290	S.IC AK2330P-L	B	58.7/56.1
IC3	1130010100	S.IC LMX2352TMX/NOPB	B	120.2/43.9
IC4	1130010100	S.IC LMX2352TMX/NOPB	B	28/78.8
IC5	1110003491	S.IC TA31136FNG (D,EL)	B	70.4/82.5
IC7	1110007280	S.IC NJM2716F-TE1	B	56.8/46.4
IC8	1130012910	S.IC AK4554VTP-E2/P	B	36.2/59.9
IC9	1190002080	S.IC AD7476ARTZ-500RL7	B	49.6/46.4
IC10	1130013040	S.IC TC7WBD125AFK (T5L,F)	B	46.6/49.2
IC11	1110006230	S.IC NJM2711F-TE1	B	53.1/35
IC12	1140013290	S.IC TMS320VC5509AZHH	B	33.3/37.8
IC13	1180002590	S.REG XC6204B332MR	T	80.9/21.3
IC14	1180003270	S.REG R1114Q161D-TR-F	T	84.4/21.4
IC15	1180002590	S.REG XC6204B332MR	T	87.8/21.3
IC17	1190001340	S.IC M62334FP 600C	T	67.3/61.7
IC18	1110005771	S.IC S-80942CNMC-G9CT2G	T	41.2/52.8
IC20	1140013520	S.IC HD64F2506FC26DV	T	33.5/37.6
IC21	1140012950	S.IC 24LC512T-I/SM	T	59.1/21.8
IC22	1150002092	IC RA30H4047M-121 [FR6100]		
	1150002211	IC RA55H4047M-121 [USA-01], [EXP-01]		
	1150002221	IC RA55H4452M-121 [USA-02], [EXP-02]		
IC23	1110002751	S.IC TA75S01F (TE85R,F)	T	139.3/125.6
IC25	1130008561	S.IC TC75S51F (TE85L,F)	B	29/16.3
IC26	1120003070	S.IC MAX3232EIPWR	T	42.7/70
IC27	1180001251	S.IC TA7808F (TE16L,Q)	T	116.6/84.1
IC28	1110003091	IC LA4425A-E		
IC29	1110002751	S.IC TA75S01F (TE85R,F)	T	12/123.1
IC30	1110003390	S.IC AN8005M-(E1)	T	114.1/91.8
IC31	1130011760	S.IC CD4094BPWR	T	8.1/45.2
IC32	1130013360	S.IC AT25F2048N-10SU-2.7SL383	B	8.9/36.1
IC34	1110005340	S.IC NJM12902V-TE1	B	12.2/58.2
IC35	1140013200	S.IC CD4053BPWR	B	20.6/58.2
IC36	1110005330	S.IC NJM12904V-TE1	B	27.8/55.4
IC37	1120002830	S.IC NJM2125F-TE1	T	56.6/66.7
IC38	1110006380	S.IC LM2904PWR	T	114.1/23.8
IC39	1180001071	S.IC TA7805F (TE16L,Q)	T	101.2/24.3
IC40	1110005330	S.IC NJM12904V-TE1	B	50.6/57.2
IC41	1180001251	S.IC TA7808F (TE16L,Q)	B	132/16.7
Q1	1590003230	S.TR UNR9113J-(TX)	B	53.4/79.7
Q2	1530002851	S.TR 2SC4116-BL (TE85R,F)	B	34.9/77.7
Q3	1560001360	S.FET 2SK3019 TL	B	66.4/76.6
Q4	1560000541	S.FET 2SK880-Y (T5RICOM,F)	B	88.8/41.5
Q5	1560000541	S.FET 2SK880-Y (T5RICOM,F)	B	33.3/107.5
Q6	1560000541	S.FET 2SK880-Y (T5RICOM,F)	B	29.6/101.3
Q7	1530002601	S.TR 2SC4215-O (TE85R,F)	B	72.9/92.5
Q8	1560000541	S.FET 2SK880-Y (T5RICOM,F)	B	92.7/47.7
Q9	1560001360	S.FET 2SK3019 TL	B	39.5/104.5
Q10	1530002851	S.TR 2SC4116-BL (TE85R,F)	B	88.8/44.6
Q11	1530002851	S.TR 2SC4116-BL (TE85R,F)	B	29.6/104.4
Q12	1590003230	S.TR UNR9113J-(TX)	B	65.6/101.6
Q13	1530002851	S.TR 2SC4116-BL (TE85R,F)	B	88.8/47.7
Q14	1530002851	S.TR 2SC4116-BL (TE85R,F)	B	29.6/107.5
Q15	1530002851	S.TR 2SC4116-BL (TE85R,F)	B	92.7/44.6
Q16	1530002851	S.TR 2SC4116-BL (TE85R,F)	B	33.3/104.5
Q19	1530002601	S.TR 2SC4215-O (TE85R,F)	B	63.2/106.8
Q20	1530002920	S.TR 2SC4226-T1 R25	B	38.8/123.1
Q21	1530002920	S.TR 2SC4226-T1 R25	B	39.6/114.5
Q22	1530002920	S.TR 2SC4226-T1 R25	B	94.6/64.3
Q23	1530002920	S.TR 2SC4226-T1 R25	B	95.2/55.4
Q24	1530003311	S.TR 2SC5107-O (TE85R,F)	B	100.5/58.6
Q25	1530003311	S.TR 2SC5107-O (TE85R,F)	B	44.9/116.2
Q26	1590001400	S.TR XP1214 (TX)	B	40.5/117.8
Q27	1590001400	S.TR XP1214 (TX)	B	96/59.6
Q28	1590003290	S.TR UNR9213J-(TX)	B	93.3/59.6
Q29	1590003290	S.TR UNR9213J-(TX)	T	57.2/41.9
Q30	1590003290	S.TR UNR9213J-(TX)	B	37.8/117.8
Q31	1590003230	S.TR UNR9113J-(TX)	T	57.2/39.8
Q32	1530003980	S.TR 2SC5700WB-TR-E	B	46.5/109.1
Q33	1530003980	S.TR 2SC5700WB-TR-E	B	102.1/53.4
Q34	1530003311	S.TR 2SC5107-O (TE85R,F)	B	46.2/123.1
Q35	1530003311	S.TR 2SC5107-O (TE85R,F)	B	101.9/64.4
Q36	1580000731	S.FET 3SK293 (TE85L,F)	B	47.3/136.1
Q37	1530003311	S.TR 2SC5107-O (TE85R,F)	B	132.5/84.5
Q38	1530002680	S.TR 2SC3357-T1	B	138.1/88.8
Q39	1560000841	S.FET 2SK1829 (TE85R,F)	B	53.2/140.8
Q40	1590001190	S.TR XP6501-(TX) .AB	T	101.6/87.4
Q41	1520000460	S.TR 2SB1132 T100 R	T	101.6/82.8
Q42	1590003290	S.TR UNR9213J-(TX)	T	13.3/67.6
Q43	1590003290	S.TR UNR9213J-(TX)	T	138.8/122.9
Q44	1590003290	S.TR UNR9213J-(TX)	T	122.8/79.2
Q45	1540000550	S.TR 2SD1664 T100Q	T	117/76.3
Q46	1530002851	S.TR 2SC4116-BL (TE85R,F)	T	137.4/120.3
Q48	1510000920	S.TR 2SA1577 T106 Q	T	101.5/77.8
Q49	1590003290	S.TR UNR9213J-(TX)	T	102.2/73.7
Q52	1590003290	S.TR UNR9213J-(TX)	T	10.9/131.6
Q53	1590003290	S.TR UNR9213J-(TX)	T	10.9/129.6
Q56	1590003321	S.FET TPC6103 (TE85L,F)	T	7.6/132.6
Q57	1550000100	S.FET 2SJ377 (TE16L1,NQ)	T	125.2/99.6
Q58	1590003290	S.TR UNR9213J-(TX)	T	130.2/102.1
Q59	1590000990	S.TR DTC363EK T146	T	7.6/127.6
Q61	1530002851	S.TR 2SC4116-BL (TE85R,F)	T	6.8/118.4
Q62	1540000441	S.TR 2SD1619T-TD-E	T	118.4/18.5
Q63	1560000990	S.FET PMBFJ310	B	66.3/110
Q64	1560000990	S.FET PMBFJ310	B	63.3/110
Q65	1530003311	S.TR 2SC5107-O (TE85R,F)	B	59.6/123.7
Q66	1590003290	S.TR UNR9213J-(TX)	B	94.9/4.7
Q67	1590003290	S.TR UNR9213J-(TX)	B	124.9/4.7
Q68	1590003290	S.TR UNR9213J-(TX)	B	109.9/4.7
Q69	1590003290	S.TR UNR9213J-(TX)	T	9.5/53.3
Q70	1590003230	S.TR UNR9113J-(TX)	T	9.5/51

M.=Mounted side (T: Mounted on the Top side, B: Mounted on the Bottom side)
S.=Surface mount

[MAIN UNIT]

Table with columns: REF NO., ORDER NO., DESCRIPTION, M., H/V LOCATION. Contains 500 rows of unit specifications.

[MAIN UNIT]

Table with columns: REF NO., ORDER NO., DESCRIPTION, M., H/V LOCATION. Contains 500 rows of unit specifications.

M.=Mounted side (T: Mounted on the Top side, B: Mounted on the Bottom side)
S.=Surface mount

[MAIN UNIT]

REF NO.	ORDER NO.	DESCRIPTION	M.	H/V LOCATION
C545	4030011060	S.CER GRM31M2C2H4R0CY21L	T	97.6/106.8
C546	4030018910	S.CER C1608 JB 0J 475K-T	B	40.4/56.7
C547	4030017760	S.CER ECJ0EB1H222K	T	53.7/72.1
C548	4030016930	S.CER ECJ0EB1A104K	T	14.1/120.6
C549	4030017420	S.CER ECJ0EC1H470J	T	23.1/86.8
C550	4030017420	S.CER ECJ0EC1H470J	T	70.1/82.6
C551	4030017330	S.CER ECJ0EF1C104Z	T	114.2/28.9
C552	4030016790	S.CER ECJ0EB1C103K	B	121.9/48.8
C553	4030016930	S.CER ECJ0EB1A104K	B	30.8/19.4
C555	4030016930	S.CER ECJ0EB1A104K	B	69.8/75.5
C556	4030016930	S.CER ECJ0EB1A104K	T	105.2/28.6
C557	4030016930	S.CER ECJ0EB1A104K	T	97/28.6
C558	4550006250	S.TAN TEESVA 1A 106M8R	T	95.1/27.9
C559	4550007080	S.TAN TEESVA 1C 106M8R	T	45.9/75.5
C562	4030017420	S.CER ECJ0EC1H470J	T	38.5/76.1
C563	4030016930	S.CER ECJ0EB1A104K	B	26.5/122.3
C564	4030017570	S.CER ECJ0EC1H040B	B	68.3/131.3
C565	4030017340	S.CER ECJ0EC1H010B	B	47.9/113.5
C566	4030018860	S.CER ECJ0EB0J105K	B	39/72.7
C571	4030017580	S.CER ECJ0EC1H060C	T	64.6/99.1
C572	4030017580	S.CER ECJ0EC1H060C	T	65.6/99.1
C573	4030017580	S.CER ECJ0EC1H060C	T	65.3/97.4
C574	4030017580	S.CER ECJ0EC1H060C	B	64/134.7
C575	4030017420	S.CER ECJ0EC1H470J	B	62.9/132.4
C576	4030017460	S.CER ECJ0EB1E102K	T	67.1/106.5
C577	4030017460	S.CER ECJ0EB1E102K	T	67.1/104.9
C578	4030017200	S.CER GRM31BR32J102KY01L	T	92/126
C579	4550006250	S.TAN TEESVA 1A 106M8R	B	94.7/50.6
C580	4030017420	S.CER ECJ0EC1H470J	T	100.7/73.5
C581	4030018910	S.CER C1608 JB 0J 475K-T	B	46.3/60.9
C582	4030018910	S.CER C1608 JB 0J 475K-T	T	69.7/98.2
C583	4030016930	S.CER ECJ0EB1A104K	B	46.3/58.6
C584	4030016790	S.CER ECJ0EB1C103K	B	54.9/55.3
C585	4030016930	S.CER ECJ0EB1A104K	B	54.9/58.6
C586	4030017730	S.CER ECJ0EB1E471K	B	54.9/56.9
C587	4030016790	S.CER ECJ0EB1C103K	B	52.3/59.8
C588	4030018910	S.CER C1608 JB 0J 475K-T	T	70.9/98.2
C601	4030011060	S.CER GRM31M2C2H4R0CY21L	T	97.6/111.3
C610	4030018080	S.CER ECJ0EB1H182K	T	63.3/69.6
C612	4030017460	S.CER ECJ0EB1E102K	B	55.7/29.9
C614	4030017730	S.CER ECJ0EB1E471K	B	29/13.2
C615	4030017650	S.CER ECJ0EC1H270J	B	63.2/117.5
C616	4030017460	S.CER ECJ0EB1E102K	T	93.8/64.6
C617	4030017420	S.CER ECJ0EC1H470J	T	60/64.8
C618	4030017420	S.CER ECJ0EC1H470J	T	64.9/53.3
C619	4030017420	S.CER ECJ0EC1H470J	T	74.2/107.7
C620	4030017420	S.CER ECJ0EC1H470J	T	73.7/96.8
C621	4030017420	S.CER ECJ0EC1H470J	T	31.5/2.8
C622	4030018910	S.CER C1608 JB 0J 475K-T	T	64.3/73.2
C623	4030017330	S.CER ECJ0EF1C104Z	B	126.8/16
C624	4030017330	S.CER ECJ0EF1C104Z	B	126.3/20.3
C625	4030017460	S.CER ECJ0EB1E102K	B	126.8/17.2
C626	4510009810	S.ELE EEEFK1E220R	B	129.4/23
J1	6510025220	S.CNR AXK540145J	T	23.1/63.7
J2	6510023091	S.CNR 20FLT-SM2-TB (LF) (SN)	T	14.8/15.6
J4	6510023511	S.CNR 28FLT-SM2-TB (LF) (SN)	T	70.8/102
J5	6510023110	CNR 3008L-8P8C <KIN>		
J6	6450000140	CNR HSJ0807-01-010		
J8	6510023091	S.CNR 20FLT-SM2-TB (LF) (SN)	T	59.1/15.6
J9	6510019371	S.CNR B3B-ZR-SM4-TF (LF) (SN)	T	94.6/14.3
J10	6510004910	CNR NR-DS-E 01		
J11	6510004910	CNR NR-DS-E 01		
DS1	5040002961	S.LED SML-A12MT T86J	B	96/1.1
DS2	5040002961	S.LED SML-A12MT T86J	B	126/1.1
DS3	5040003000	S.LED SML-A12UT-T86	B	111/1.1
MF1	2710000870	FAN AFB0512HB-7X22 <USE>HK		
W1	7120000470	JMP ERDS2T0		
W2	7120000470	JMP ERDS2T0		
W4	8900017520	CBL OPC-1783		
EP1	6910015370	S.BEA ACZ1005Y-102-T	B	129.1/48.4
EP2	6910015370	S.BEA ACZ1005Y-102-T	B	117.2/48.4
EP3	6910015370	S.BEA ACZ1005Y-102-T	B	32.4/81.6
EP4	6910016330	S.BEA MMZ1005S 601CT-S	B	30.4/60.5
EP5	6910015370	S.BEA ACZ1005Y-102-T	B	39/74.5
EP6	6910015370	S.BEA ACZ1005Y-102-T	B	37.8/109
EP7	6910016330	S.BEA MMZ1005S 601CT-S	B	40.7/36.7
EP8	6910015370	S.BEA ACZ1005Y-102-T	B	94.5/48.8
EP9	6910016330	S.BEA MMZ1005S 601CT-S	T	48.8/39.3
EP10	6910011560	BEA HF70BB4.5X5X1.6		
EP11	6910010280	BEA HF70BB9.5X10.4X4.9		
EP12	6910010280	BEA HF70BB9.5X10.4X4.9		
EP13	6910011330	TER OT-009 M3		
EP14	6910011330	TER OT-009 M3		

[CONNECT UNIT]

REF NO.	ORDER NO.	DESCRIPTION	M.	H/V LOCATION
C601	4030017420	S.CER ECJ0EC1H470J	T	13.8/12.4
C602	4030017400	S.CER ECJ0EC1H220J	T	12.2/12.4
C603	4030017420	S.CER ECJ0EC1H470J	T	16.5/12.4
C604	4030017400	S.CER ECJ0EC1H220J	T	15/14.2
C605	4030017420	S.CER ECJ0EC1H470J	T	17.8/13.9
C606	4030017420	S.CER ECJ0EC1H470J	T	19.4/12.4
C607	4030017420	S.CER ECJ0EC1H470J	T	20.5/13.9
C608	4030017420	S.CER ECJ0EC1H470J	T	22.6/12.4
C609	4030017420	S.CER ECJ0EC1H470J	T	25.5/12.4
C610	4030017420	S.CER ECJ0EC1H470J	T	29.7/12.8
C611	4030017420	S.CER ECJ0EC1H470J	T	31/14.1
C612	4030017420	S.CER ECJ0EC1H470J	T	32.4/12.8
C613	4030017420	S.CER ECJ0EC1H470J	T	33.5/14.1
C614	4030017420	S.CER ECJ0EC1H470J	T	35.2/14.1
C615	4030017420	S.CER ECJ0EC1H470J	T	35.7/12.8
C616	4030017420	S.CER ECJ0EC1H470J	B	35.2/15.6
C617	4030017420	S.CER ECJ0EC1H470J	T	37.5/13.5
C618	4030017420	S.CER ECJ0EC1H470J	T	39.3/12.2
C619	4030017420	S.CER ECJ0EC1H470J	T	39.9/13.4
C620	4030017420	S.CER ECJ0EC1H470J	T	41.3/12.6
C621	4030017420	S.CER ECJ0EC1H470J	T	27.4/13.9
J601	6510026290	S.CNR IMSA-9631S-28Y921	B	22.8/16.2
J602	6510023210	CNR CD6125SA1J0 <CVI>		
S1	2260003070	S.SW MINISMDC150F/24-2	B	38.9/18
W601	8900017500	CBL OPC-1852 (P0.5,N28,L90)		

M.=Mounted side (T: Mounted on the Top side, B: Mounted on the Bottom side)
S.=Surface mount

SECTION 8

MECHANICAL PARTS

[CHASSIS PARTS]

REF NO.	ORDER NO.	DESCRIPTION	QTY.
MP1	8810003361	SETSCREW (C) 3X6 ZC3	4
MP2	8810003361	SETSCREW (C) 3X6 ZC3	1
MP3	8110009330	3063 U-COVER	1
MP4	8110009340	3063 BOTTOM COVER	1
MP5	8930073980	3063 ANGLE	2
MP6	8930073990	3063 CENTER ANGLE	1
MP7	8810005771	SCREW BIH M3X8 ZK3	11
MP9	8810009061	SCREW M3X6 ZK3	7
MP10	8810008661	SCREW BT B0 3X8 NI-ZC3 (BT)	2

[FRONT UNIT]

REF NO.	ORDER NO.	DESCRIPTION	QTY.
R551	7210003050	EVU-F2KFK3B14 10KB	1
J503	6450002210	3017-8821	1
DS500	5030002811	L4-0013TVY-2	1
DS501	5040002710	EMPG3338S	1
DS502	5040002710	EMPG3338S	1
DS503	5040002710	EMPG3338S	1
DS504	5040002710	EMPG3338S	1
S506	2250000511	RH70N1037E20-13F-2781	1
SP501	2510001221	C052SB500-14	1
W501	8900011800	OPC-1199	1
W502	8900017540	OPC-1785 (Incl. MP521, 522)	1
EP501	8930065150	SRCN-2781-SP-N-W	2
EP503	6910019600	LM-5	2
EP504	6910019610	LM-7	4
MP501	8930064260	2781 LCD HOLDER	1
MP502	8210021190	2781 REFLECTOR	1
MP503	8610012160	KNOB N-324 (Incl. MP505)	1
MP504	8610012150	KNOB N-325 (Incl. MP506)	1
MP505	8610007420	KNOB SPRING NO.6601	1
MP506	8610007510	KNOB SPRING NO.7800	1
MP507	8930064220	2781 KNOB RUBBER	1
MP508	8930075200	HIMELON SHEET (CY)	2
MP510	8930059000	2601 SP NET	1
MP511	8210024400	3063 FRONT PANEL	1
MP512	8930074160	3063 FRONT PLATE	1
MP513	8310070870	3063 WINDOW PLATE	1
MP514	8210024430	3063 M-PANEL	1
MP515	8930074000	3063 SP ANGLE	1
MP516	8110009350	3063 FRONT COVER	1
MP517	8930073820	3063 FRONT KEY	1
MP518	8930073910	3063 M-COVER	1
MP519	8930074020	3063 KNOB RUBBER	1
MP520	8930075010	3063 A-PACKING	1
MP521	8930074010	3063 CODE RUBBER	1
MP522	8110009090	2854 A-MODULER COVER	1
MP529	8810008661	SCREW BT B0 3X8 NI-ZC3 (BT)	6
MP530	8810008661	SCREW BT B0 3X8 NI-ZC3 (BT)	2
MP531	8810008661	SCREW BT B0 3X8 NI-ZC3 (BT)	4
MP532	8810008661	SCREW BT B0 3X8 NI-ZC3 (BT)	6
MP533	8810008661	SCREW BT B0 3X8 NI-ZC3 (BT)	5

[CONNECT UNIT]

REF NO.	ORDER NO.	DESCRIPTION	QTY.
J601	6510026290	IMSA-9631S-28Y921	1
J602	6510023210	CD6125SA1J0	1
S1*	2260003070	MINISMDC150F/24	1
W601	8900017500	OPC-1852	1

[MAIN UNIT]

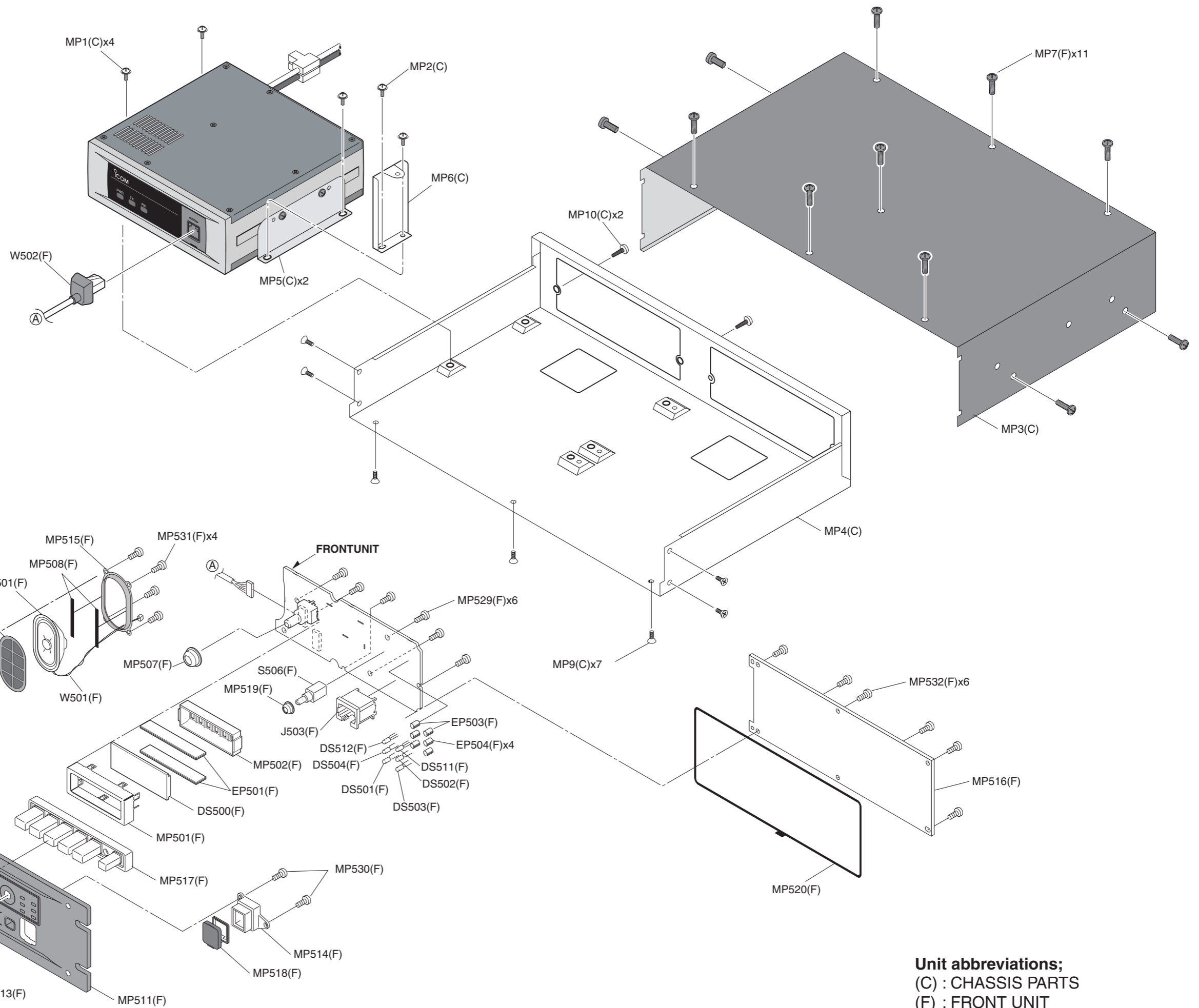
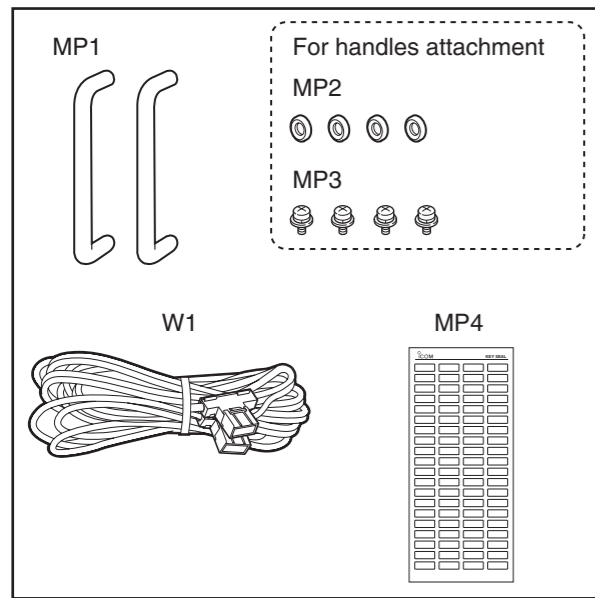
REF NO.	ORDER NO.	DESCRIPTION	QTY.
J1*	6510025220	AXK540145J	1
J2*	6510023091	20FLT-SM2-TB (LF) (SN)	1
J4*	6510023511	28FLT-SM2-TB (LF) (SN)	1
J5	6510023110	3008L-8P8C	1
J6	6450000140	HSJ0807-01-010	1
J8*	6510023091	20FLT-SM2-TB (LF) (SN)	1
J9*	6510019371	B3B-ZR-SM4-TF (LF) (SN)	1
J10	6510004910	NR-DSE-01	1
J11	6510004910	NR-DSE-01	1
MF1	2710000870	AFB0512HB-F00	1
W1	7120000470	ERDS2T0	1
W2	7120000470	ERDS2T0	1
W4	8900017520	OPC-1783 (Incl. EP11)	1
EP10*	6910011560	HF70BB4.5X5X1.6	2
EP11	6910010280	HF70BB9.5X10.4X4.9	1
EP12	6910010280	HF70BB9.5X10.4X4.9	1
EP13	6910011330	OT-009 M3	1
EP14	6910011330	OT-009 M3	1
MP1	8510018070	2979 VCO CASE	1
MP2	8510018060	2979 VCO COVER	1
MP3	8510018070	2979 VCO CASE	1
MP4	8510018060	2979 VCO COVER	1
MP5	8210024440	3063 SUB M-PANEL	1
MP6	8310070880	3063 S-LED PLATE	1
MP7	8930073920	3063 SP COVER	1
MP8	8010020980	3063 CHASSIS	1
MP9	8110009360	3063 SU-COVER	1
MP10	8110009370	3063 SL-COVER	1
MP11	8930074300	3063 PC PLATE	1
MP12	8930074180	O-RING (BR)	1
MP13	8930075020	3063 B-PACKING	1
MP14	8930075030	3063 C-PACKING	1
MP15	8930073930	3063 SP RUBBER	1
MP16	8930058990	SHIELD SPONGE (V)	1
MP17	8930062160	HIMELON SHEET (CL)	1
MP18	8930070921	2979 D-SUB PLATE-1	1
MP19	8930058990	SHIELD SPONGE (V)	1
MP20	8510015660	2681 F-SHIELD PLATE	1
MP21	8930048550	2177 CLIP	1
MP22	8810008451	SCREW BIH M4X8 ZK3	4
MP23	8930075080	DUST CAP HR25F	1
MP24	8810009611	SCREW M2.6X6 ZK3	8
MP25	8810009611	SCREW M2.6X6 ZK3	9
MP26	8810010591	SCREW BT B0 3X20NI-ZC3 (BT)	4
MP27	8810008661	SCREW BT B0 3X8 NI-ZC3 (BT)	16
MP28	8810008661	SCREW BT B0 3X8 NI-ZC3 (BT)	2
MP29	8810008661	SCREW BT B0 3X8 NI-ZC3 (BT)	1
MP30	8810008661	SCREW BT B0 3X8 NI-ZC3 (BT)	2
MP31	8810008661	SCREW BT B0 3X8 NI-ZC3 (BT)	3
MP32	8810008661	SCREW BT B0 3X8 NI-ZC3 (BT)	4
MP33	8510018780	3063 ANT CASE	2
MP35	8810003361	SETSCREW (C) 3X6 ZC3	2
MP37	8510018790	3063 VCO SHIELD	1
MP38	8510018820	3063 SHIELD PLATE	1

[ACCESSORIES]

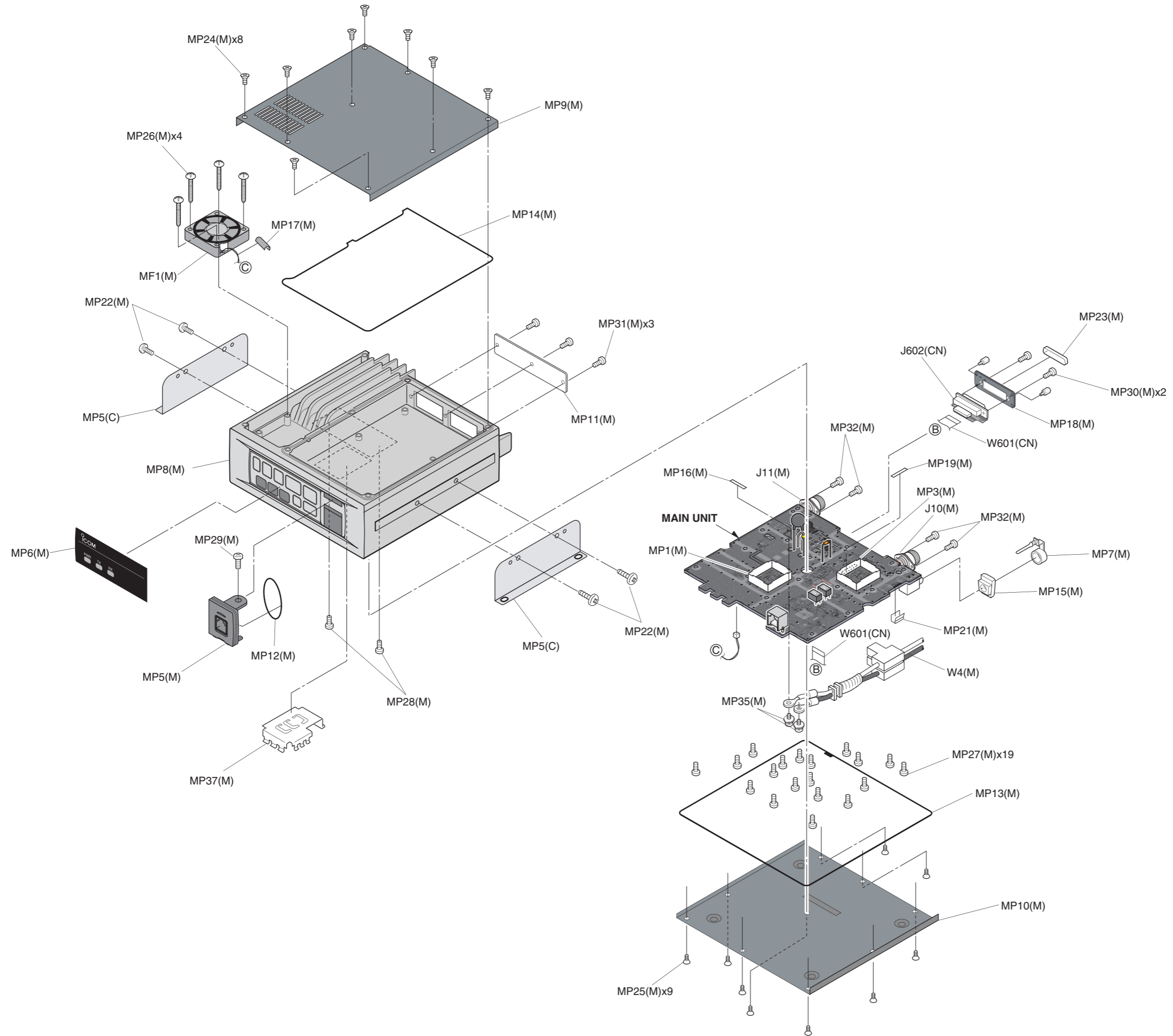
REF NO.	ORDER NO.	DESCRIPTION	QTY.
W1	8900017530	OPC-1784	1
MP1	8930074310	3063 HANDLE	2
MP2	8930074320	3063 H-SPACER	4
MP3	8810010740	SETSCREW (C) 4X12 ZK3	4
MP4	8310071490	3063 KEY SEAL	1

*: Refer to "BOARD LAYOUTS."

Screw abbreviations A, B0, BT: Self-tapping PH: Pan head ZK: Black NI-ZU: Nickel-Zinc SUS: Stainless



Unit abbreviations;
 (C) : CHASSIS PARTS
 (F) : FRONT UNIT
 (M) : MAIN UNIT
 (CN) : CONNECTOR UNIT

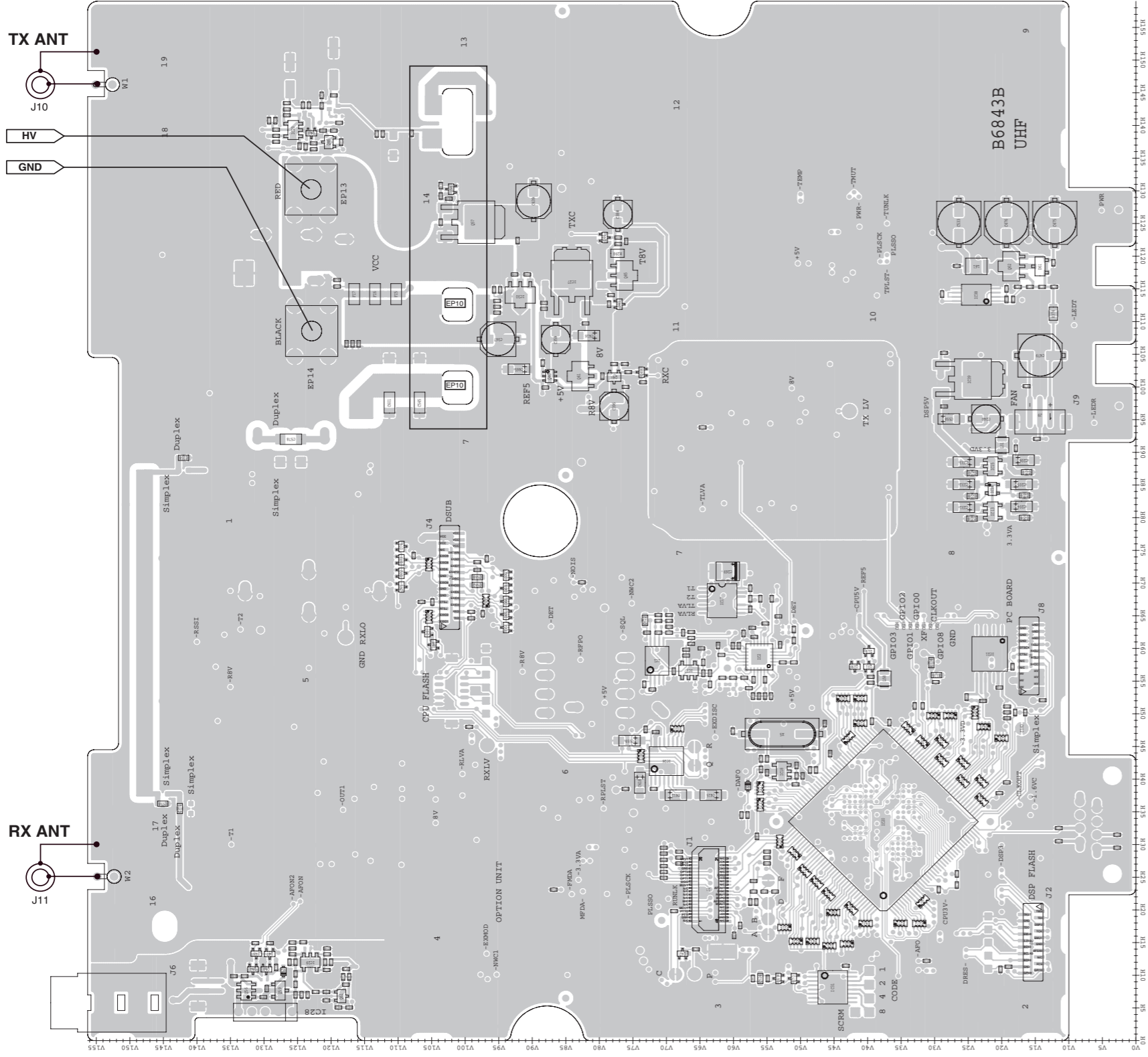


Unit abbreviations;
 (C) : CHASSIS PARTS
 (F) : FRONT UNIT
 (M) : MAIN UNIT
 (CN) : CONNECTOR UNIT

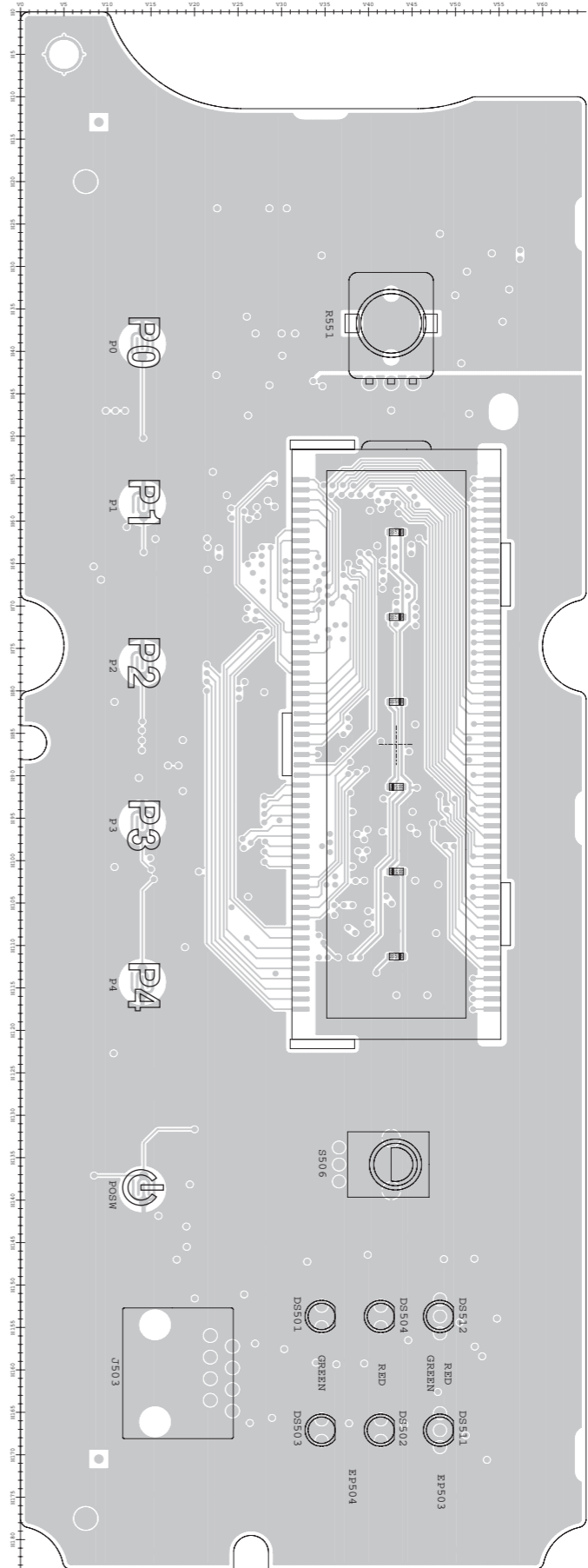
SECTION 9

BOARD LAYOUTS

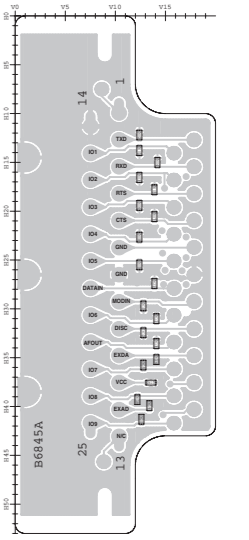
• MAIN UNIT
(TOP VIEW)



• FRONT UNIT
(TOP VIEW)

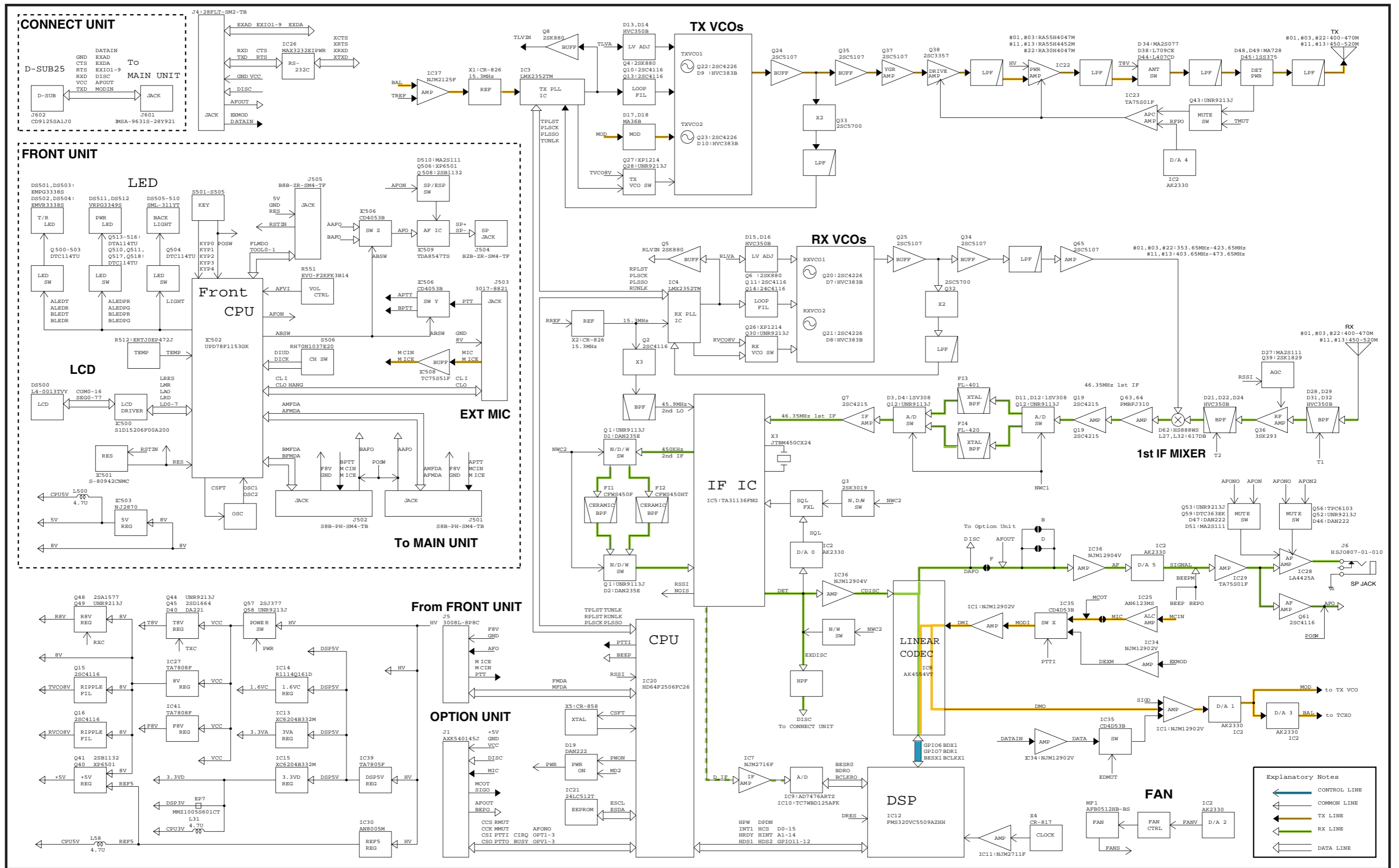


• CONNECT UNIT
(TOP VIEW)

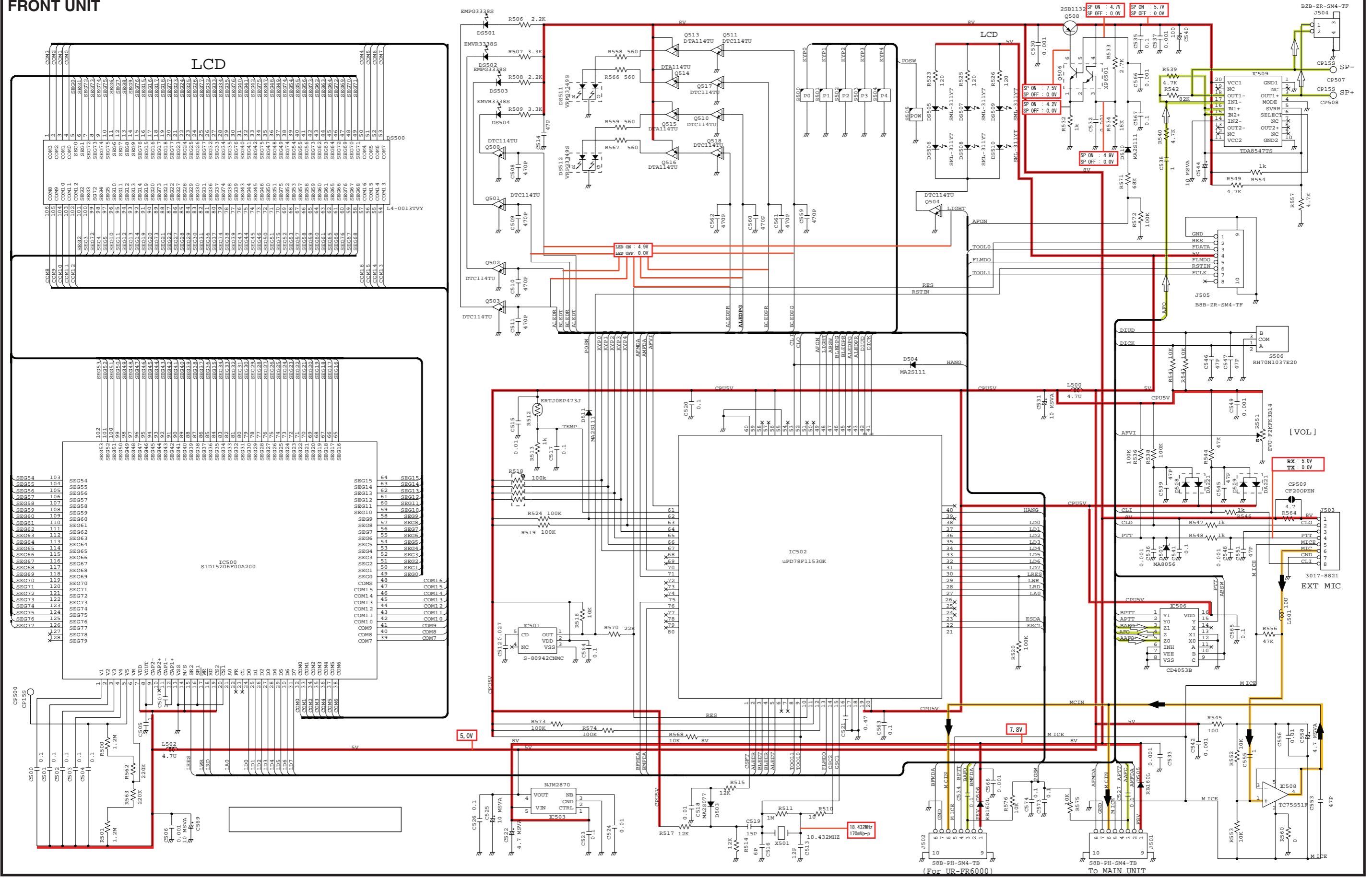


SECTION 10

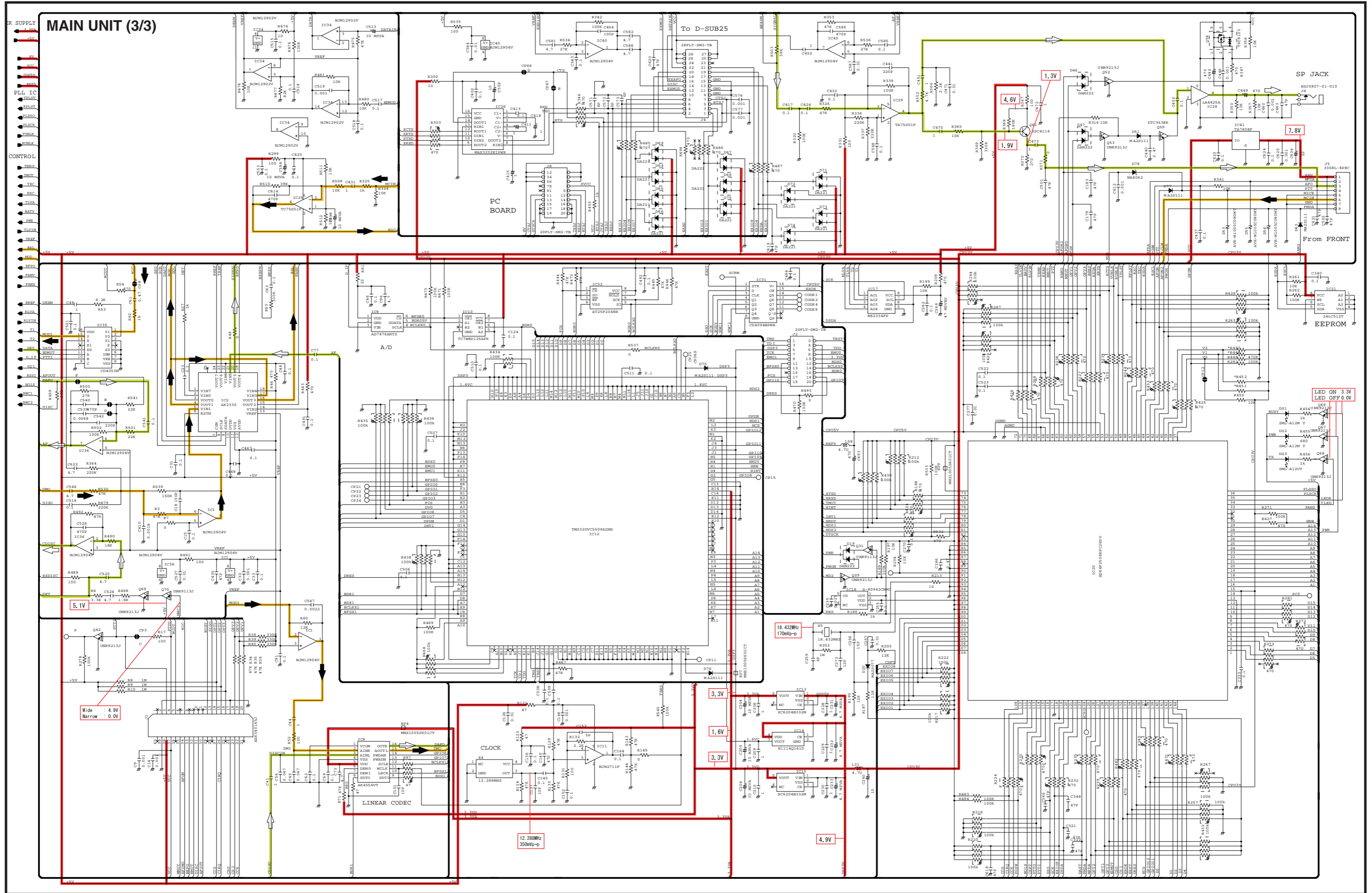
BLOCK DIAGRAM



FRONT UNIT

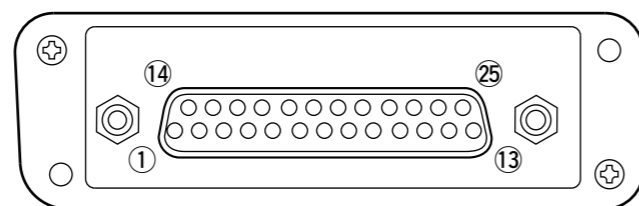
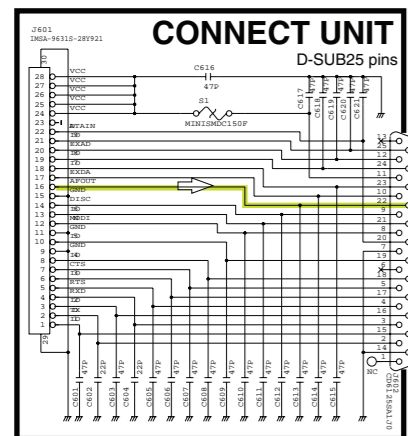


*; Refer to "PARTS LIST."



*; Refer to "PARTS LIST".

• ACCESSORY CONNECTOR (CONNECT UNIT) INFORMATION



Pin No.	Pin Name	Description	Specification
1	NC	No connection	—
2	TXD	Output terminal for serial communication data.	—
3	RXD	Input terminal for serial communication data.	—
4	RTS	Output terminal for request-to-send data.	—
5	CTS	Input terminal for clear-to-send data.	—
6	NC	No connection	—
7	GND	Serial/digital signal ground	—
8	MOD IN	Modulator input from an external terminal unit.	Input level: 300 mV rms
9	DISC OUT	Output terminal for AF signals from the AF detector circuit. Output level is fixed, regardless of [AF] control.	Output level: 300 mV rms
10	EXT. D/A	The desired function can be assigned.* (Default: Null)	—
11	VCC	13.6 V DC output	Output current: Less than 1 A
12	EXT. A/D	Customize A/D input (Not used)	—
13	NC	No connection	—
14	GND	Ground	—
15	EXT./O 15	The desired function can be assigned.* (Default: Null)	+5 V pull up, Active=L
16	EXT./O 16	The desired function can be assigned.* (Default: P0 Monitor Output)	+5 V pull up, Active=L
17	EXT./O 17	The desired function can be assigned.* (Default: Busy Output)	+5 V pull up, Active=L
18	EXT./O 18	The desired function can be assigned.* (Default: Null)	+5 V pull up, Active=L
19	EXT./O 19	The desired function can be assigned.* (Default: EPTT Input)	+5 V pull up, Active=L
20	DATA IN	Input terminal for data.	—
21	EXT./O 21	The desired function can be assigned.* (Default: Analog Audible Output)	+5 V pull up, Active=L
22	AF OUT	The AF detector Output.	—
23	EXT./O 23	The desired function can be assigned.* (Default: Mic Mute Output)	+5 V pull up, Active=L
24	EXT./O 24	The desired function can be assigned.* (Default: Null)	+5 V pull up, Active=L
25	EXT./O 25	The desired function can be assigned.* (Default: Mic Hanger Output)	+5 V pull up, Active=L

* The desired function can be assigned using the optional CS-FR5000 CLONING SOFTWARE. Ask your dealer for details.

Icom Inc.

1-1-32, Kamiminami, Hirano-ku, Osaka 547-0003, Japan
Phone : +81 (06) 6793 5302
Fax : +81 (06) 6793 0013
URL : <http://www.icom.co.jp/world/index.html>

Icom America Inc.

<Corporate Headquarters>
2380 116th Avenue N.E., Bellevue, WA 98004, U.S.A.
Phone : +1 (425) 454-8155 Fax : +1 (425) 454-1509
URL : <http://www.icomamerica.com>
E-mail : sales@icomamerica.com
<Customer Service>
Phone : +1 (425) 454-7619

Icom Canada

Glenwood Centre #150-6165
Highway 17 Delta, B.C., V4K 5B8, Canada
Phone : +1 (604) 952-4266 Fax : +1 (604) 952-0090
URL : <http://www.icomcanada.com>
E-mail : info@icomcanada.com

Icom (Australia) Pty. Ltd.

Unit 1 / 103 Garden Road, Clayton VIC 3168 Australia
Phone : +61 (03) 9549-7500 Fax : +61 (03) 9549-7505
URL : <http://www.icom.net.au>
E-mail : sales@icom.net.au

Icom New Zealand

146A Harris Road, East Tamaki,
Auckland, New Zealand
Phone : +64 (09) 274 4062 Fax : +64 (09) 274 4708
URL : <http://www.icom.co.nz>
E-mail : inquiries@icom.co.nz

Beijing Icom Ltd.

10C07, Long silver Mansion, No.88, Yong Ding
Road, Haidian District, Beijing, 100039, China
Phone : +86 (010) 5889 5391/5392/5393
Fax : +86 (010) 5889 5395
E-mail : bjicom@bjicom.com
URL : <http://www.bjicom.com>

Icom (Europe) GmbH

Communication Equipment
Himmelgeister Str. 100, D-40225 Düsseldorf, Germany
Phone : +49 (0211) 346047 Fax : +49 (0211) 333639
URL : <http://www.icomeurope.com>
E-mail : info@icomeurope.com

Icom Spain S.L

Ctra. Rubi, 88, 08190, Sant Cugat del Valles, Barcelona, SPAIN
Phone : +34 (93) 590 26 70 Fax : +34 (93) 589 04 46
URL : <http://www.icomspain.com>
E-mail : icom@icomspain.com

Icom (UK) Ltd.

Unit 9, Sea St., Herne Bay, Kent, CT6 8LD, U.K.
Phone : +44 (01227) 741741 Fax : +44 (01227) 741742
URL : <http://www.icomuk.co.uk>
E-mail : info@icomuk.co.uk

Icom France s.a.s.

Zac de la Plaine
1 Rue Brindejonc des Moulinais BP 5804
31505 Toulouse Cedex, France
Phone : +33 (5) 61 36 03 03 Fax : +33 (5) 61 36 03 00
URL : <http://www.icom-france.com>
E-mail : icom@icom-france.com

Asia Icom Inc.

6F No.68, Sec. 1 Cheng-Teh Road, Taipei, Taiwan, R.O.C.
Phone : +886 (02) 2559 1899 Fax : +886 (02) 2559 1874
URL : <http://www.asia-icom.com>
E-mail : sales@asia-icom.com

Icom Polska

Sopot, 3 Maja 54 Poland
Phone : +48 (58) 550 7135 Fax : +48 (58) 551 0484
E-mail : icompolaska@icompolaska.com.pl

Count on us!

Icom Inc.

1-1-32, Kamiminami, Hirano-ku, Osaka 547-0003, Japan

S-14419XZ-C1
© 2008 Icom Inc.